

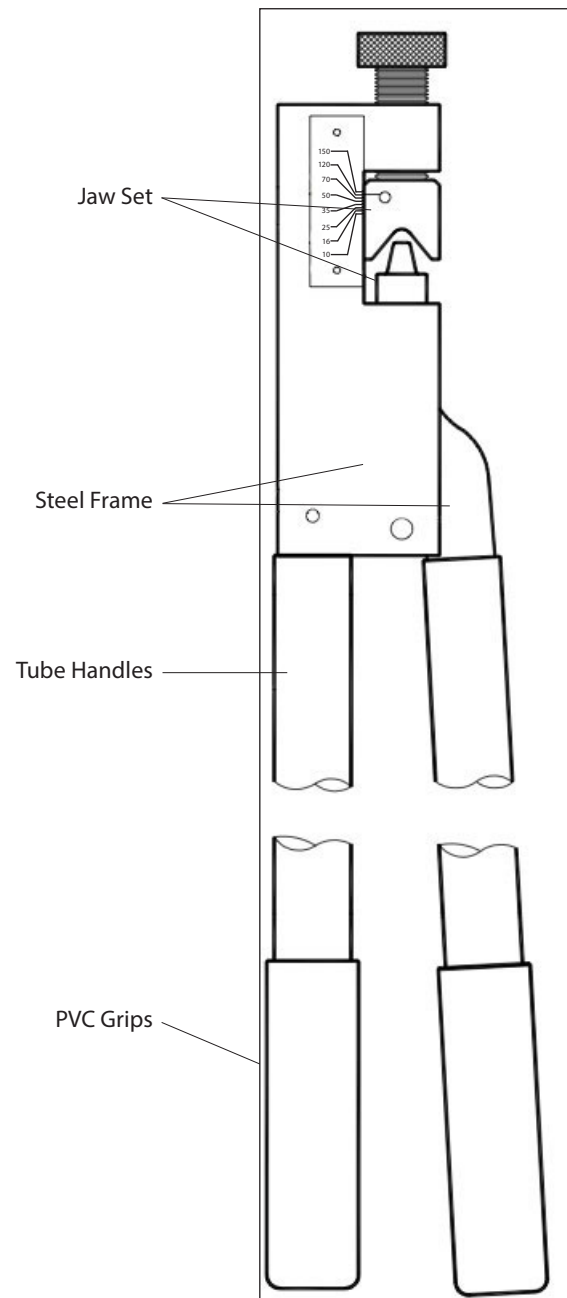
HNKE150 PROFESSIONAL CRIMPING TOOL BOOTLACE FERRULES 10 TO 150MM²

TECHNICAL DATA

FEATURE	DESCRIPTION
CRIMPING RANGE	10, 16, 25, 35, 50, 70, 95, 120, 150mm ²
LENGTH	26" (660+/-10mm)
WEIGHT	3.5kg
MATERIAL	Jaw: Made of Alloy Steel & Harden Frame: Made of Middle Carbon Steel
FINISHED	Jaw/Frame: Cr. Painting Handle: painted black

ORDERING INFORMATION

Part No: **HNKE150**



In support of our policy of continuous product improvement we reserve the right to change materials and specifications without notice. Drawings, where used, are not to scale. All dimensions are in millimetres and sizes given are approximate. Where possible, technical MSDS data sheets are made available on the website. All products should be installed and used in accordance with manufacturer's instructions provided. Warning: products may be the subject of registered designs and patents. Refer to website for terms and conditions on warranty.