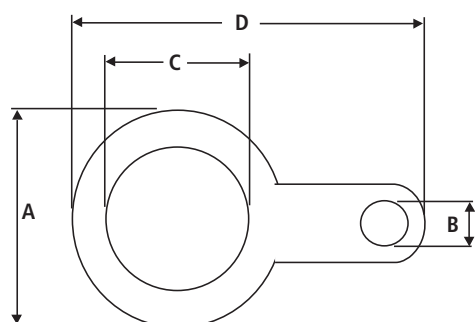


EARTH TAGS BRASS

FEATURES

- Earth tags are used to earth metal glands
- Made of brass to improve contact
- Tag hole used to attach the earth conductor
- Used with metal gland range



ORDERING INFORMATION

PART NO.	A (MM)	B (MM)	C (MM)	D (MM)	THICKNESS (MM)	UNIT	QTY
ET16	27	7	16	50	1.2	EA	1
ET20	29	7	20	50	1.2	EA	1
ET25	36	7	26	61	1.2	EA	1
ET32	44	7	32	70	1.2	EA	1
ET40	52	7	40	84	1.2	EA	1
ET50	64	7	51	94	1.4	EA	1
ET63	78	7	64	109	1.4	PAK	1

In support of our policy of continuous product improvement we reserve the right to change materials and specifications without notice. Drawings, where used, are not to scale. All dimensions are in millimetres and sizes given are approximate. Where possible, technical MSDS data sheets are made available on the website. All products should be installed and used in accordance with manufacturer's instructions provided. Warning: products may be the subject of registered designs and patents. Refer to website for terms and conditions on warranty.