

TRIPAC HOT DIP GALVANIZED STEEL CONDUIT SADDLES

Coating: Hot-dipped galvanized steel

Coating Thickness: 50 microns

Tripac Hot Dip Galvanized Steel Conduit Saddles are designed for superior mechanical strength and exceptional corrosion protection. They are ideal for use in conduit installations in highly corrosive environments, where long-lasting, dependable support is required. These saddles are available in various sizes to accommodate different conduit diameters, and they offer excellent durability and resistance to environmental stresses.



FS20HDG



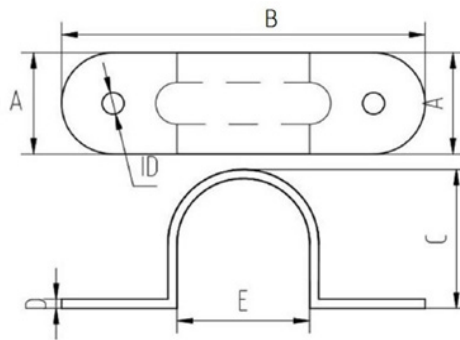
HS25HDG

KEY FEATURES:

- **Durable Construction:** Tripac Conduit Saddles are made from hot-dipped galvanized steel, providing robust protection against mechanical wear and corrosion. The hot dip coating with a thickness of 50 microns ensures long-lasting performance.
- **Superior Mechanical Strength:** These saddles offer exceptional support and secure fastening of conduits, ensuring the stability and reliability of your electrical installations.
- **Corrosion Resistance:** The hot-dip galvanization process provides a strong defence against corrosion, making these saddles suitable for use in highly corrosive environments.
- **Various Sizes:** Tripac Conduit Saddles are available in different sizes to accommodate various conduit diameters, ensuring a secure fit for your specific application.
- **Easy Installation:** With standardized hole diameters and dimensions, these saddles are designed for straightforward and efficient installation.

APPLICATIONS

- Industrial Facilities
- Mining and Quarrying
- Oil and Gas Industry
- Chemical Processing Plants
- Infrastructure and Construction
- Agricultural Environments
- Transportation and Railways
- Commercial and Residential Construction

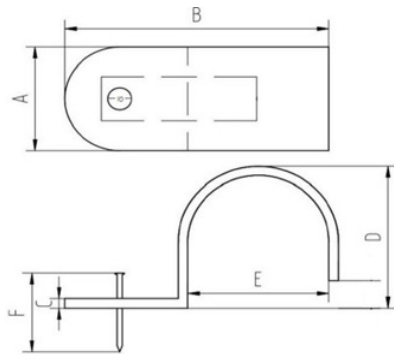


FULL SADDLES PRODUCT MEASUREMENTS

Part No.	Description	Pack QTY	ID HOLE (mm)	A (mm)	B (mm)	C (mm)	D (mm)	E (mm)
FS12HDG	SADDLE FULL HOT DIP GAL 6.5MM HOLES 12MM	10	6.50	19.00	43.00	13.00	1.00	12.00
FS16HDG	SADDLE FULL HOT DIP GAL 6.5MM HOLES 16MM	10	6.50	19.00	48.00	18.00	1.00	16.00
FS20HDG	SADDLE FULL HOT DIP GAL 6.5MM HOLES 20MM	10	6.50	19.00	55.00	22.00	1.00	20.00
FS25HDG	SADDLE FULL HOT DIP GAL 6.5MM HOLES 25MM	10	6.50	19.00	58.00	27.00	1.00	25.00
FS32HDG	SADDLE FULL HOT DIP GAL 6.5MM HOLES 32MM	10	6.50	25.00	82.00	34.00	1.00	32.00
FS40HDG	SADDLE FULL HOT DIP GAL 6.5MM HOLES 40MM	10	6.50	25.00	96.00	43.00	1.00	40.00
FS50HDG	SADDLE FULL HOT DIP GAL 6.5MM HOLES 50MM	10	6.50	25.00	113.00	53.00	1.00	50.00

In support of our policy of continuous product improvement we reserve the right to change materials and specifications without notice. Drawings, where used, are not to scale. All dimensions are in millimetres and sizes given are approximate. Where possible, technical MSDS data sheets are made available on the website. All products should be installed and used in accordance with manufacturer's instructions provided. Warning: products may be the subject of registered designs and patents. Refer to website for terms and conditions on warranty.

TRIPAC HOT DIP GALVANIZED STEEL CONDUIT SADDLES



HALF SADDLES PRODUCT MEASUREMENTS

Part No.	Description	Pack QTY	ID HOLE (mm)	A (mm)	B (mm)	C (mm)	D (mm)	E (mm)
HS16HDG	SADDLE HALF HOT DIP GAL 6.5MM HOLE 16MM	10	6.50	19.00	43.00	1.20	17.00	16.00
HS20HDG	SADDLE HALF HOT DIP GAL 6.5MM HOLE 20MM	10	6.50	19.00	50.00	1.20	21.00	20.00
HS25HDG	SADDLE HALF HOT DIP GAL 6.5MM HOLE 25MM	10	6.50	19.00	56.00	1.20	26.00	25.00
HS32HDG	SADDLE HALF HOT DIP GAL 6.5MM HOLE 32MM	10	6.50	25.00	70.00	1.20	33.00	32.00
HS40HDG	SADDLE HALF HOT DIP GAL 6.5MM HOLE 40MM	10	6.50	25.00	75.00	1.20	41.00	40.00
HS50HDG	SADDLE HALF HOT DIP GAL 6.5MM HOLE 50MM	10	6.50	25.00	86.00	1.20	51.00	50.00

In support of our policy of continuous product improvement we reserve the right to change materials and specifications without notice. Drawings, where used, are not to scale. All dimensions are in millimetres and sizes given are approximate. Where possible, technical MSDS data sheets are made available on the website. All products should be installed and used in accordance with manufacturer's instructions provided. Warning: products may be the subject of registered designs and patents. Refer to website for terms and conditions on warranty.