

GEARWRENCH FORGE AHEAD



IMPACT SOCKET GUIDE

Includes: 1/4", 3/8", 1/2", 3/4", and 1" Drive Sockets, Universal Sockets, Bit Sockets, Sets, Adapters, and Extensions



GTW GEARWRENCH

GEARWRENCH Offers A Wide Selection Of Impact Sockets

Our sockets are available individually or as a set - designed for professional users. The complete range of products is made from impact grade chrome molybdenum alloy steel (Cr-Mo) for outstanding strength and durability. We have added improved features like parallel necks on select sockets – these allow you to work in tighter spaces. The expanded range of universal sockets helps the pro tackle the hard to reach fasteners!



IMPACT SOCKETS

Available in Standard and Deep styles with parallel neck down feature to increase access to restricted fasteners

Parallel Neck Down Design
For improved access to restricted fasteners

High-Visibility Laser Etched Markings
For quick size identification



Secondary Hard Size Stamping
On reverse side for additional size identification



OFF-CORNER LOADING



CHROME MOLYBDENUM



HIGH VIS MARKINGS

Off Corner Load™ Technology
Virtually eliminates the rounding of fasteners

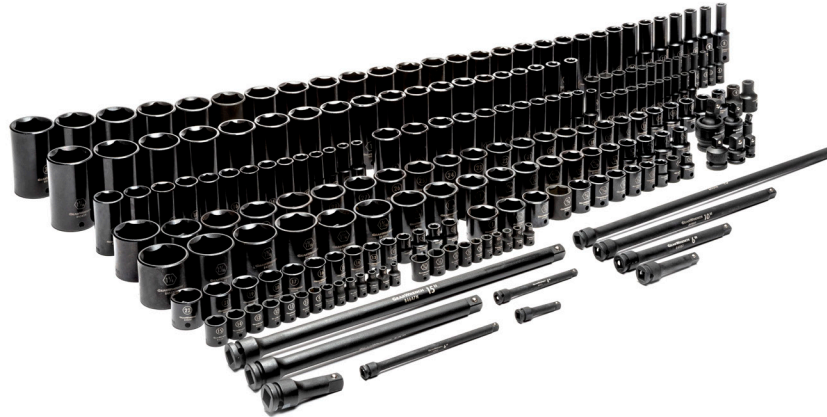
Manganese Phosphate Coating
For corrosion resistance



Made From Chrome Molybdenum Alloy Steel (Cr-Mo)
For exceptional strength and durability

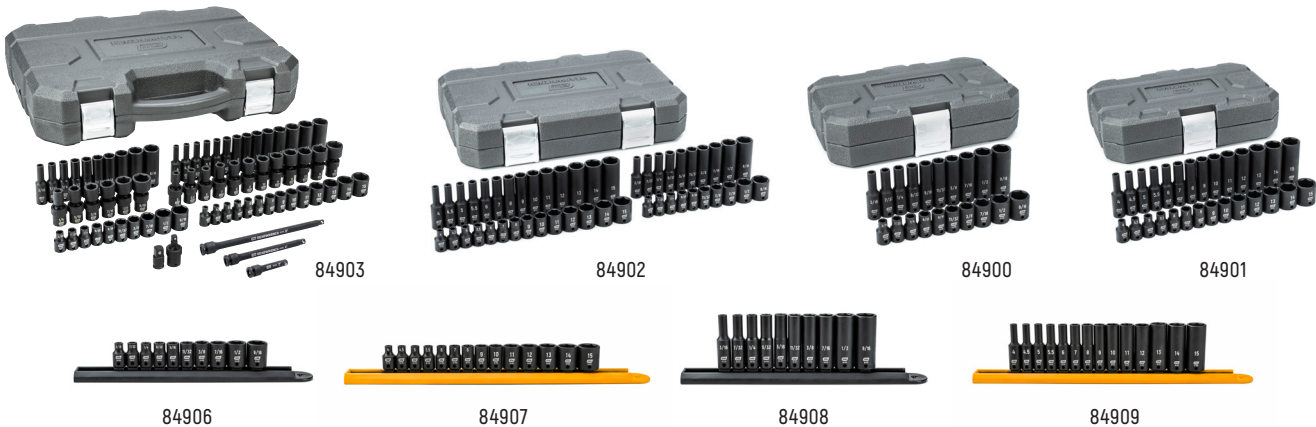
Drive	SAE/Metric	Standard	Deep
1/4" Drive	SAE	3/16" - 9/16"	3/16" - 9/16"
	Metric	4mm - 15mm	4mm - 15mm
3/8" Drive	SAE	5/16" - 1"	5/16" - 1"
	Metric	8mm - 22mm	8mm - 22mm
1/2" Drive	SAE	3/8" - 1 1/2"	3/8" - 1 1/2"
	Metric	8mm - 36mm	8mm - 36mm
3/4" Drive	SAE	1/2" - 2 1/2"	9/16" - 2"
	Metric	17mm - 50mm	19mm - 43mm
1" Drive	SAE	3/4" - 4 1/2"	7/8" - 2 3/4"
	Metric	19mm - 65mm	—

1/4", 3/8" & 1/2" DRIVE MASTER SET



Cat. No.	Description	Includes
89072	209 Pc. 1/4", 3/8", 1/2" 6 Point SAE & Metric, Standard & Deep, Impact Socket Master Set	(3) Impact Universal Joints: 1/4", 3/8", 1/2" Drive; (3) 1/4" Drive Impact Extensions: 2", 4", 6"; (4) 3/8" Drive Impact Extensions: 3", 6", 10", 15"; (3) 1/2" Drive Extensions: 3", 10", 15"; (3) Impact Adapters: 1/4" Drive 1/4" F x 3/8" M, 3/8" Drive 3/8" F x 1/2" M, 1/2" Drive 1/2" F x 3/8" M; (10) 1/4" Drive Standard SAE: 3/16" - 9/16"; (14) 1/4" Drive Standard Metric: 4mm - 15mm; (10) 1/4" Drive Deep SAE: 3/16" - 9/16"; (14) 1/4" Drive Deep Metric: 4mm - 15mm; (12) 3/8" Drive Standard SAE: 5/16" - 1"; (14) 3/8" Drive Standard Metric: 8mm - 22mm; (12) 3/8" Drive Deep SAE: 5/16" - 1"; (14) 3/8" Drive Deep Metric: 8mm - 22mm; (19) 1/2" Drive Standard SAE: 3/8" - 1-1/2"; (26) 1/2" Drive Standard Metric: 8mm - 36mm; (19) 1/2" Drive Deep SAE: 3/8" - 1-1/2"; (29) 1/2" Drive Deep Metric: 8mm - 36mm

1/4" DRIVE IMPACT SOCKET SETS



Cat. No.	Description	Includes
84903	71 Pc. 1/4" Drive 6 Point SAE/Metric, Standard/Deep/Universal Impact Socket Set	Standard/Deep SAE: 3/16", 7/32", 1/4", 9/32", 5/16", 11/32", 3/8", 7/16", 1/2", 9/16"; Standard/Deep Metric: 4, 4.5, 5, 5.5, 6, 7, 8, 9, 10, 11, 12, 13, 14, 15mm; Universal SAE: 1/4", 5/16", 3/8", 7/16", 1/2", 9/16"; Universal Metric: 5, 5.5, 6, 7, 8, 9, 10, 11, 12, 13, 14, 15mm; Universal Joint: 1/4" x 1/4"; Extensions: 2", 4", 6"; Adapters: 1/4" F x 3/8" M
84902	48 Pc. 1/4" Drive 6 Point SAE/Metric, Standard/Deep Impact Socket Set	Std/Deep SAE: 3/16", 7/32", 1/4", 9/32", 5/16", 11/32", 3/8", 7/16", 1/2", 9/16"; Std/Deep Metric: 4, 4.5, 5, 5.5, 6, 7, 8, 9, 10, 11, 12, 13, 14, 15mm
84900	20 Pc. 1/4" Drive 6 Point SAE Standard/Deep Impact Socket Set	Std/Deep SAE: 3/16", 7/32", 1/4", 9/32", 5/16", 11/32", 3/8", 7/16", 1/2", 9/16"
84901	28 Pc. 1/4" Drive 6 Point Metric Standard/Deep Impact Socket Set	Std/Deep Metric: 4, 4.5, 5, 5.5, 6, 7, 8, 9, 10, 11, 12, 13, 14, 15mm
84906	10 Pc. 1/4" Drive 6 Point SAE Impact Socket Set	Standard SAE: 3/16", 7/32", 1/4", 9/32", 5/16", 11/32", 3/8", 7/16", 1/2", 9/16"
84907	14 Pc. 1/4" Drive 6 Point Metric Impact Socket Set	Standard Metric: 4, 4.5, 5, 5.5, 6, 7, 8, 9, 10, 11, 12, 13, 14, 15mm
84908	10 Pc. 1/4" Drive 6 Point SAE Deep Impact Socket Set	Deep SAE: 3/16", 7/32", 1/4", 9/32", 5/16", 11/32", 3/8", 7/16", 1/2", 9/16"
84909	14 Pc. 1/4" Drive 6 Point Metric Deep Impact Socket Set	Deep Metric: 4, 4.5, 5, 5.5, 6, 7, 8, 9, 10, 11, 12, 13, 14, 15mm

3/8" DRIVE IMPACT SOCKET SETS



84916N



84919N



84925N



84910N



84911N



84914N



84915N

Cat. No.	Description	Includes
84916N	44 Pc. 3/8" Drive 6 Point SAE/Metric, Standard/Deep Impact Socket Master Set	Standard & Deep SAE: 5/16", 3/8", 7/16", 1/2", 9/16", 5/8", 11/16", 3/4"; Standard Metric: 8, 9, 10, 11, 12, 13, 14, 15, 16, 17, 18, 19mm; Deep Metric: 8, 9, 10, 11, 12, 13, 14, 15, 16, 17, 18, 19, 21mm; (1) Universal Joint: 3/8" x 3/8"; (2) Extensions: 3", 6"
84919N	25 Pc. 3/8" Drive 6 Point SAE, Standard/Deep Impact Socket Set	Standard/Deep SAE: 5/16", 3/8", 7/16", 1/2", 9/16", 5/8", 11/16", 3/4", 13/16", 7/8", 15/16", 1"; Universal Joint: 3/8" x 3/8"
84925N	29 Pc. 3/8" Drive 6 Point Metric, Standard/Deep Impact Socket Set	Standard/Deep Metric: 8, 9, 10, 11, 12, 13, 14, 15, 16, 17, 18, 19, 21, 22mm; Universal Joint: 3/8" x 3/8"
84910N	8 Pc. 3/8" Drive 6 Point SAE Standard Impact Socket Set	Standard SAE: 5/16", 3/8", 7/16", 1/2", 9/16", 5/8", 11/16", 3/4"
84911N	12 Pc. 3/8" Drive 6 Point Metric Impact Socket Set	Standard Metric: 8, 9, 10, 11, 12, 13, 14, 15, 16, 17, 18, 19mm
84915N	8 Pc. 3/8" Drive 6 Point SAE Deep Impact Socket Set	Deep SAE: 5/16", 3/8", 7/16", 1/2", 9/16", 5/8", 11/16", 3/4"
84914N	13 Pc. 3/8" Drive 6 Point Metric Deep Impact Socket Set	Deep Metric: 8, 9, 10, 11, 12, 13, 14, 15, 16, 17, 18, 19, 21mm

1/2" DRIVE IMPACT SOCKET SETS



84947N



84948N



84949N



84932N



84931N

Cat. No.	Description	Includes
84947N	39 Pc. 1/2" Drive 6 Point SAE, Standard/Deep Impact Socket Set	Standard/Deep SAE: 3/8", 7/16", 1/2", 9/16", 5/8", 11/16", 3/4", 13/16", 7/8", 15/16", 1", 1 1/16", 1 1/8", 1 3/16", 1-1/4", 1-5/16", 1-3/8", 1-7/16", 1-1/2"; Universal Joint: 1/2" x 1/2"
84948N	39 Pc. 1/2" Drive 6 Point Metric, Standard/Deep Impact Socket Set	Standard/Deep Metric: 9, 10, 11, 12, 13, 14, 15, 16, 17, 18, 19, 20, 21, 22, 23, 24, 26, 27, 30mm; Universal Joint: 1/2" x 1/2"
84949N	27 Pc. 1/2" Drive 6 Point SAE/Metric, Deep Impact Socket Set	Deep SAE: 7/16", 1/2", 9/16", 5/8", 11/16", 3/4", 13/16", 7/8", 15/16", 1", 1-1/16", 1-1/8", 1-1/4"; Deep Metric: 10, 11, 12, 13, 14, 15, 16, 17, 18, 19, 21, 22, 26, 27mm
84932N	19 Pc. 1/2" Drive 6 Point SAE Standard Impact Socket Set	Standard SAE: 3/8", 7/16", 1/2", 9/16", 5/8", 11/16", 3/4", 13/16", 7/8", 15/16", 1", 1-1/16", 1-1/8", 1-3/16", 1-1/4", 1-5/16", 1-3/8", 1-7/16", 1-1/2"
84931N	12 Pc. 1/2" Drive 6 Point SAE Standard Impact Socket Set	Standard SAE: 3/8", 7/16", 1/2", 9/16", 5/8", 11/16", 3/4", 13/16", 7/8", 15/16", 1", 1-1/16"

1/2" DRIVE IMPACT SOCKET SETS (CONTINUED)



84933N



84930N



84934N



84942N



84935N



84955N

Cat. No.	Description	Includes
84933N	25 Pc. 1/2" Drive 6 Point Metric Standard Impact Socket Set	Standard Metric: 8, 9, 10, 11, 12, 13, 14, 15, 16, 17, 18, 19, 20, 21, 22, 23, 24, 25, 26, 28, 29, 30, 31, 32, 36mm
84930N	12 Pc. 1/2" Drive 6 Point Metric, Standard Impact Socket Set	Standard Metric: 8, 9, 10, 11, 12, 13, 14, 15, 16, 17, 18, 19mm
84934N	19 Pc. 1/2" Drive 6 Point SAE Deep Impact Socket Set	Deep SAE: 3/8", 7/16", 1/2", 9/16", 5/8", 11/16", 3/4", 13/16", 7/8", 15/16", 1", 1-1/16", 1-1/8", 1-3/16", 1-1/4", 1-5/16", 1-3/8", 1-7/16", 1-1/2"
84942N	12 Pc. 1/2" Drive 6 Point SAE Deep Impact Socket Set	Deep SAE: 3/8", 7/16", 1/2", 9/16", 5/8", 11/16", 3/4", 13/16", 7/8", 15/16", 1", 1 1/16"
84935N	29 Pc. 1/2" Drive 6 Point Metric Deep Impact Socket Set	Deep Metric: 8, 9, 10, 11, 12, 13, 14, 15, 16, 17, 18, 19, 20, 21, 22, 23, 24, 25, 26, 27, 28, 29, 30, 31, 32, 33, 34, 35, 36mm
84955N	14 Pc. 1/2" Drive 6 Point Metric Deep Impact Socket Set	Deep Metric: 10, 11, 12, 13, 14, 15, 16, 17, 18, 19, 21, 22, 26, 27mm

3/4" DRIVE IMPACT SOCKET SETS



84030



84031



84032



84033



84034



84035



84036



84037

Cat. No.	Description	Includes
84030	8 Pc. 3/4" Drive 6 Point Metric Impact Socket Set	Standard Metric: 26, 27, 29, 30, 32, 35, 36, 38mm
84031	26 Pc. 3/4" Drive 6 Point Metric Impact Socket Set	Standard Metric: 19, 20, 21, 22, 23, 24, 25, 26, 27, 28, 29, 30, 31, 32, 33, 34, 35, 36, 38, 40, 41, 42, 43, 44, 46, 50mm
84032	8 Pc. 3/4" Drive 6 Point Deep Metric Impact Set	Deep Metric: 26, 27, 29, 30, 32, 35, 36, 38mm
84033	28 Pc. 3/4" Drive 6 Point Deep Metric Impact Socket Set	Deep Metric: 19, 20, 21, 22, 23, 24, 25, 26, 27, 28, 29, 30, 31, 32, 33, 34, 35, 36, 38, 41, 42, 43, 44, 45, 46, 47, 48, 49, 50mm
84034	8 Pc. 3/4" Drive 6 Point SAE Impact Socket Set	Standard SAE: 1", 1-1/16", 1-1/8", 1-1/4", 1-5/16", 1-3/8", 1-7/16", 1-1/2"
84035	29 Pc. 3/4" Drive 6 Point SAE Impact Socket Set	Standard SAE: 3/4", 13/16", 7/8", 15/16", 1", 1-1/16", 1-1/8", 1-3/16", 1-1/4", 1-5/16", 1-3/8", 1-7/16", 1-1/2", 1-9/16", 1-5/8", 1-11/16", 1-3/4", 1-13/16", 1-7/8", 1-15/16", 2", 2-1/16", 2-1/8", 2-3/16", 2-1/4", 2-5/16", 2-3/8", 2-7/16", 2-1/2"
84036	8 Pc. 3/4" Drive 6 Point Deep SAE Impact Socket Set	Deep SAE: 1", 1-1/16", 1-1/8", 1-1/4", 1-5/16", 1-3/8", 1-7/16", 1-1/2"
84037	29 Pc. 3/4" Drive 6 Point Deep SAE Impact Socket Set	Deep SAE: 3/4", 13/16", 7/8", 15/16", 1", 1-1/16", 1-1/8", 1-3/16", 1-1/4", 1-5/16", 1-3/8", 1-7/16", 1-1/2", 1-9/16", 1-5/8", 1-11/16", 1-3/4", 1-13/16", 1-7/8", 1-15/16", 2", 2-1/16", 2-1/8", 2-3/16", 2-1/4", 2-5/16", 2-3/8", 2-7/16", 2-1/2"

UNIVERSAL IMPACT SOCKET SETS

Available in Standard and Deep styles, universal impact sockets have a flex design that provides increased access to restricted fasteners

Off Corner Load™ Technology

Virtually eliminates the rounding of fasteners

Secondary Hard Size Stamping
For additional size identification

High-Visibility Laser Etched Markings
For quick size identification

Flex Socket Design
Provides increased access to restricted fasteners

Manganese Phosphate Coating
For corrosion resistance

Made From Chrome Molybdenum Alloy Steel (Cr-Mo)
For exceptional strength and durability



OFF-CORNER LOADING™



CHROME MOLYBDENUM™



HIGH VIS MARKINGS™

Drive	SAE/Metric	Standard	Deep
1/4" Drive	SAE	1/4" - 9/16"	—
	Metric	5mm - 15mm	—
3/8" Drive	SAE	5/16" - 3/4"	3/8" - 3/4"
	Metric	8mm - 22mm	10mm - 19mm
1/2" Drive	SAE	1/2" - 1 1/4"	3/8" - 15/16"
	Metric	10mm - 24mm	10mm - 19mm



8904

84905

84917N

84923N

84924N



84918N

84938N

84939N

84943N

84945N

Cat. No.	Description	Includes
84904	6 Pc 1/4" Drive 6 Point SAE Universal Impact Socket Set	Standard SAE: 1/4", 5/16", 3/8", 7/16", 1/2", 9/16"
84905	12 Pc. 1/4" Drive 6 Point Metric Universal Impact Socket Set	Standard Metric: 5, 5.5, 6, 7, 8, 9, 10, 11, 12, 13, 14, 15mm
84917N	8 Pc. 3/8" Drive 6 Point SAE Universal Impact Socket Set	Standard SAE: 5/16", 3/8", 7/16", 1/2", 9/16", 5/8", 11/16", 3/4"
84923N	7 Pc. 3/8" Drive 6 Point SAE Deep Universal Impact Socket Set	Deep SAE: 3/8", 7/16", 1/2", 9/16", 5/8", 11/16", 3/4"
84924N	10 Pc. 3/8" Drive 6 Point Metric Deep Universal Impact Socket Set	Deep Metric: 10, 11, 12, 13, 14, 15, 16, 17, 18, 19mm
84918N	15 Pc. 3/8" Drive 6 Point Metric Universal Impact Socket Set	Standard Metric: 8, 9, 10, 11, 12, 13, 14, 15, 16, 17, 18, 19, 20, 21, 22mm
84938N	13 Pc. 1/2" Drive 6 Point SAE Universal Impact Socket Set	Standard SAE: 1/2", 9/16", 5/8", 11/16", 3/4", 13/16", 7/8", 15/16", 1", 1-1/16", 1-1/8", 1-3/16", 1-1/4"
84939N	15 Pc. 1/2" Drive 6 Point Metric Universal Impact Socket set	Standard Metric: 10, 11, 12, 13, 14, 15, 16, 17, 18, 19, 20, 21, 22, 23, 24mm
84943N	10 Pc. 1/2" Drive 6 Point SAE Deep Universal Impact Socket Set	Deep SAE: 3/8", 7/16", 1/2", 9/16", 5/8", 11/16", 3/4", 13/16", 7/8", 15/16"
84945N	10 Pc. 1/2" Drive 6 Point Metric Deep Universal Impact Socket Set	Deep Metric: 10, 11, 12, 13, 14, 15, 16, 17, 18, 19mm

X-CORE™ PINLESS IMPACT SOCKET SETS

The exclusive four-lug ball-and-socket design of X-CORE™ Pinless universal-joints, sockets, and extensions provides the long-lasting strength and capability needed to take on the toughest automotive and industrial applications.

Off Corner Load™ Technology

Virtually eliminates the rounding of fasteners

Made From Chrome Molybdenum Alloy Steel (Cr-Mo)

For exceptional strength and durability

Manganese Phosphate Coating

For corrosion resistance

360° Rotation and 30° Maximum Operating Angle

For greater access



Drive	SAE/Metric	Standard
3/8" Drive	SAE	3/8" - 3/4"
	Metric	8mm - 24mm
1/2" Drive	SAE	1/2" - 1 1/8"
	Metric	13mm - 24mm

High-Visibility Laser Etched Markings

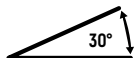
And secondary hard stamping for quick size identification



PINLESS JOINT™



ROTATES 360°™



30° MAX ANGLE™



Cat. No.	Description	Includes
84974	7 Pc. 3/8" Drive 6 Point X-Core SAE Pinless Universal Impact Socket Set	Standard SAE: 3/8", 7/16", 1/2", 9/16", 5/8" 11/16", 3/4"
84975	11 Pc. 3/8" Drive 6 Point X-Core Metric Pinless Universal Impact Socket Set	Standard Metric: 8, 10, 11, 12, 13, 14, 15, 16, 17, 18, 19mm
84976	3 Pc. 3/8" Drive 6 Point X-Core Metric Pinless Universal Impact Socket Set	Standard Metric: 21, 22, 24mm
84978	9 Pc. 1/2" Drive 6 Point X-Core SAE Pinless Universal Impact Socket Set	Standard SAE: 1/2", 9/16", 5/8", 11/16", 3/4", 13/16", 7/8", 15/16", 1"
84979	10 Pc. 1/2" Drive 6 Point X-Core Metric Pinless Universal Impact Socket Set	Standard Metric: 13, 14, 15, 16, 17, 18, 19, 21, 22, 24mm

X-CORE™ PINLESS IMPACT UNIVERSAL JOINT SET

Made From Chrome Molybdenum Alloy Steel (Cr-Mo)

For exceptional strength and durability

High-Visibility Laser Etched Markings

And secondary hard stamping for quick size identification



360° Rotation and 30° Maximum Operating Angle

For greater access

Black Oxide Finish

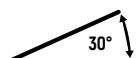
For corrosion resistance



PINLESS JOINT™



ROTATES 360°™



30° MAX ANGLE™

Cat. No.	Description	Includes
84960	3 Pc. X-Core Pinless Universal Impact Set	X-Core™ Pinless Impact Universal Joints: 1/4", 3/8", & 1/2" Drive

IMPACT HEX BIT SOCKET SETS

Manufactured From Impact Grade Alloy Steel
For exceptional strength and durability

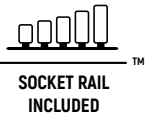
Made From Chrome Molybdenum Alloy Steel (Cr-Mo)
For exceptional strength and durability

High-Visibility Laser Etched Markings
For quick size identification



6 Pt Surface Drive Feature
To reduce slipping

	SAE/Metric	Sizes
3/8" Drive	SAE	3/16" - 1/2"
	Metric	4mm - 12mm
1/2" Drive	SAE	3/8" - 3/4"
	Metric	9mm - 15mm
3/4" Drive	SAE	9/16" - 1"
	Metric	14mm - 24mm



Cat. No.	Description	Includes
84913	7 Pc. 3/8" Drive SAE Impact Hex Bit Socket Set	Standard SAE: 3/16", 7/32", 1/4", 5/16", 3/8", 7/16", 1/2"
84912	7 Pc. 3/8" Drive Metric Impact Hex Bit Socket Set	Standard Metric: 4, 5, 6, 7, 8, 10, 12mm
84941	7 Pc. 1/2" Drive SAE Impact Hex Bit Socket Set	Standard SAE: 3/8", 7/16", 1/2", 9/16", 5/8", 11/16", 3/4"
84940	7 Pc. 1/2" Drive Metric Hex Bit Socket Set	Standard Metric: 9, 10, 11, 12, 13, 14, 15mm
84899	5 Pc. 3/4" Drive SAE Hex Impact Bit Socket Set	Standard SAE: 9/16", 5/8", 3/4, 7/8", 1"
84968	5 Pc. 3/4" Drive Metric Hex Impact Bit Socket Set	Standard Metric: 14, 17, 19, 22, 24mm

IMPACT EXTENSION SETS

High-Visibility Laser Etched Markings
For quick size identification

Flex Socket Design
For access

Manganese Phosphate Coating
For corrosion resistance



Locking Mechanism
Securely attaches socket to extension

Off Corner Load™ Technology
Virtually eliminates the rounding of fasteners

Drive	Type	Length
1/4" Drive	Standard	2", 4", 6"
	Locking	3", 6", 10", 15"
3/8" Drive	Standard	3", 6", 10", 15"
	Locking	3", 6", 12", 18", 24", 33"
1/2" Drive	Standard	3", 5", 10", 15"
	Locking	3", 6", 12", 18", 24", 31"
3/4" Drive	Standard	6", 10", 13"
	Locking	7", 13"



Cat. No.	Description	Includes
84926N	4 Pc. 3/8" Drive Impact Extension Set	3/8" M x 3/8" F Impact Extensions: 3", 6", 10", 15"
84950N	4 Pc. 1/2" Drive Impact Extension Set	1/2" M x 1/2" F Impact Extensions: 3", 5", 10", 15"
84927N	3 Pc. 3/8" Drive Locking Impact Extension Set	3/8" M x 3/8" F Impact Extensions: 3", 6", 12"
84951N	3 Pc. 1/2" Drive Locking Impact Extension Set	1/2" M x 1/2" F Impact Extensions: 3", 6", 12"

3/8" DRIVE IMPACT SOCKET OPEN STOCK



Standard

Deep

Size	6 Pt. Standard	6 Pt. Deep
5/16"	84300N	84322N
3/8"	84301N	84323N
7/16"	84302N	84324N
1/2"	84303N	84325N
9/16"	84304N	84326N
5/8"	84305N	84327N
11/16"	84306N	84328N

Size	6 Pt. Standard	6 Pt. Deep
3/4"	84307N	84329N
13/16"	84308N	84428N
7/8"	84386N	84429N
15/16"	84387N	84430N
1"	84388N	84431N
8 mm	84309N	84331N
9 mm	84310N	84332N

Size	6 Pt. Standard	6 Pt. Deep
10 mm	84311N	84333N
11 mm	84312N	84334N
12 mm	84313N	84335N
13 mm	84314N	84336N
14 mm	84315N	84337N
15 mm	84316N	84338N
16 mm	84317N	84339N

Size	6 Pt. Standard	6 Pt. Deep
17 mm	84318N	84340N
18 mm	84319N	84341N
19 mm	84320N	84342N
21 mm	84435N	84343N
22 mm	84321N	84344N

1/2" DRIVE IMPACT SOCKET OPEN STOCK



Standard

Deep

Size	6 Pt. Standard	6 Pt. Deep
3/8"	84500N	84546N
7/16"	84501N	84547N
1/2"	84502N	84548N
9/16"	84503N	84549N
5/8"	84504N	84550N
11/16"	84505N	84551N
3/4"	84506N	84552N
13/16"	84507N	84553N
7/8"	84508N	84554N
15/16"	84509N	84555N
1"	84510N	84556N
1 1/16"	84511N	84557N

Size	6 Pt. Standard	6 Pt. Deep
1 1/8"	84512N	84558N
1 3/16"	84513N	84559N
1 1/4"	84514N	84560N
1 5/16"	84515N	84561N
1 3/8"	84516N	84562N
1 7/16"	84517N	84563N
1 1/2"	84518N	84564N
8 mm	84520N	84566N
9 mm	84521N	84567N
10 mm	84522N	84568N
11 mm	84523N	84569N
12 mm	84524N	84570N

Size	6 Pt. Standard	6 Pt. Deep
13 mm	84525N	84571N
14 mm	84526N	84572N
15 mm	84527N	84573N
16 mm	84528N	84574N
17 mm	84529N	84575N
18 mm	84530N	84576N
19 mm	84531N	84577N
20 mm	84532N	84578N
21 mm	84533N	84579N
22 mm	84534N	84580N
23 mm	84535N	84581N
24 mm	84536N	84582N

Size	6 Pt. Standard	6 Pt. Deep
25 mm	84537N	84583N
26 mm	84538N	84584N
27 mm	84545N	84585N
28 mm	84539N	84586N
29 mm	84540N	84587N
30 mm	84541N	84588N
31 mm	84542N	84589N
32 mm	84543N	84590N
33 mm	—	84591N
34 mm	—	84592N
35 mm	—	84593N
36 mm	84544N	84594N

3/4" DRIVE IMPACT SOCKET OPEN STOCK



Standard

Deep

Size	6 Pt. Standard	6 Pt. Deep	Size	6 Pt. Standard	6 Pt. Deep	Size	6 Pt. Standard	6 Pt. Deep	Size	6 Pt. Standard	6 Pt. Deep
3/4"	84800	84863	1 11/16"	84815	84878	20 mm	84831	84511	35 mm	84846	84992
13/16"	84801	84864	1 3/4"	84816	84879	21 mm	84832	84983	36 mm	84847	84993
7/8"	84802	84865	1 13/16"	84817	84880	22 mm	84833	84984	38 mm	84849	84994
15/16"	84803	84866	1 7/8"	84818	84881	23 mm	84834	84985	40 mm	84851	—
1"	84804	84867	1 15/16"	84819	84882	24 mm	84835	84986	41 mm	84852	84995
1 1/16"	84805	84868	2"	84820	84883	25 mm	84836	—	42 mm	84853	84528
1 1/8"	84806	84869	2 1/16"	84821	84884	26 mm	84837	84987	43 mm	84854	84996
1 3/16"	84807	84870	2 1/8"	84822	84504	27 mm	84838	84988	44 mm	84855D	84529
1 1/4"	84808	84871	2 3/16"	84823	84505	28 mm	84839	84512	45 mm	—	84530
1 5/16"	84809	84872	2 1/4"	84824	84506	29 mm	84840	84525	46 mm	84857	84552
1 3/8"	84810	84873	2 5/16"	84825	84507	30 mm	84841	84989	47 mm	—	84521
1 7/16"	84811	84874	2 3/8"	84826	84508	31 mm	84842	84526	48 mm	—	84522
1 1/2"	84811	84875	2 7/16"	84827	84509	32 mm	84843	84990	49 mm	—	84523
1 9/16"	84813	84876	2 1/2"	84828	84510	33 mm	84844D	84991	50 mm	84861	84524
1 5/8"	84814	84877	19 mm	84830D	84982	34 mm	84845	84527			

1" DRIVE IMPACT SOCKET OPEN STOCK



Standard

Deep

Size	6 Pt. Standard	6 Pt. Deep	Size	6 Pt. Standard	6 Pt. Deep
3/4"	84200	—	1 5/16"	84209	84255
13/16"	84201	—	1 3/8"	84210	84256
7/8"	84202	84248	1 7/16"	84211	84257
15/16"	84203	84249	1 1/2"	84212	84258
1"	84204	84250	1 9/16"	84213	84259
1 1/16"	84205	84251	1 5/8"	84214	84260
1 1/8"	84206	84252	1 11/16"	84215	84261
1 3/16"	84207	84253	1 3/4"	84216	84262
1 1/4"	84208	84254	1 13/16"	84217	84263

1" DRIVE IMPACT SOCKET OPEN STOCK (CONTINUED)

Size	6 Pt. Standard	6 Pt. Deep	Size	6 Pt. Standard	6 Pt. Deep	Size	6 Pt. Standard	Size	6 Pt. Standard
1 7/8"	84218	84264	2 9/16"	84229	84273	3 1/2"	84240	28 mm	84284
1 15/16"	84219	84265	2 5/8"	84230	—	3 5/8"	84241	30 mm	84285
2"	84220	84266	2 11/16"	84231	—	3 7/8"	84242	32 mm	84286
2 1/16"	84221	84267	2 3/4"	84232	84274	4"	84243	33 mm	84287
2 1/8"	84222	84268	2 3/16"	84233	—	4 1/8"	84244	36 mm	84288
2 3/16"	84223	84269	2 7/8"	84234	—	4 1/4"	84245	41 mm	84289
2 1/4"	84224	84270	2 15/16"	84235	—	4 1/2"	84246	46 mm	84290
2 5/16"	84225	84271	3"	84236	—	19 mm	84280	50 mm	84291
2 3/8"	84226	84272	3 1/8"	84237	—	22 mm	84281	55 mm	84292
2 7/16"	84227	—	3 1/4"	84238	—	24 mm	84282	60 mm	84293
2 1/2"	84228	—	3 3/8"	84239	—	27 mm	84283	65 mm	84294

IMPACT EXTENSION OPEN STOCK



Cat. No.	Style	Overall Length	Male Drive	Female Drive
84172	Standard	2"	1/4"	1/4"
84173	Standard	4"	1/4"	1/4"
84174	Standard	6"	1/4"	1/4"
84406	Standard	3"	3/8"	3/8"
84407	Standard	6"	3/8"	3/8"
84405	Standard	10"	3/8"	3/8"
84409N	Standard	15"	3/8"	3/8"
84645N	Standard	3"	1/2"	1/2"
84646N	Standard	5"	1/2"	1/2"
84644N	Standard	10"	1/2"	1/2"
84647N	Standard	15"	1/2"	1/2"

Cat. No.	Style	Overall Length	Male Drive	Female Drive
84885	Standard	6"	3/4"	3/4"
84886	Standard	10"	3/4"	3/4"
84893	Standard	13"	3/4"	3/4"
84298	Standard	7"	1"	1"
84299	Standard	13"	1"	1"
84432N	Locking	3"	3/8"	3/8"
84433N	Locking	6"	3/8"	3/8"
84434N	Locking	12"	3/8"	3/8"
84648N	Locking	3"	1/2"	1/2"
84649N	Locking	6"	1/2"	1/2"
84650N	Locking	12"	1/2"	1/2"

UNIVERSAL IMPACT JOINT OPEN STOCK



80548N

84440

Cat. No.	Description
80101	1/4" Drive Universal Impact Joint
80548N	3/8" Drive Universal Impact Joint
80671N	1/2" Drive Universal Impact Joint
84889	3/4" Drive Universal Impact Joint

Cat. No.	Description
84296	1" Drive Universal Impact Joint
84180	1/4" Drive X-Core Pinless Universal Impact Joint
84440	3/8" Drive X-Core Pinless Universal Impact Joint
84715	1/2" Drive X-Core Pinless Universal Impact Joint

IMPACT ADAPTER OPEN STOCK



84176

84643

Cat. No.	Description
84176	1/4" F x 3/8" M Impact Drive Adapter
84408	3/8" F x 1/2" M Impact Drive Adapter
84643	1/2" F x 3/8" M Impact Drive Adapter
84655	1/2" F x 3/4" M Impact Drive Adapter

Cat. No.	Description
84888D	3/4" F x 1/2" M Impact Drive Adapter
84887	3/4" F x 1" M Impact Adapter
84297	1" F x 3/4" M Impact Adapter

