



***sutton**tools*

# THREADING

▪ Hand Taps ▪ Button Dies ▪ Die Nuts ▪ Sets ▪ Pipe Threading Kit ▪ Screw Extractors



# THREADING

## Threading Index

- 226 **Dies** Carbon, Button Dies – BSW
- 223 **Dies** Carbon, Button Dies – Metric
- 224 **Dies** Carbon, Button Dies – Metric Fine
- 227 **Dies** Carbon, Button Dies – RC & NPT (Taper)
- 225 **Dies** Carbon, Button Dies – UNC
- 225 **Dies** Carbon, Button Dies – UNF
- 231 **Dies** Carbon, Die Nuts – BSW, BSF & G
- 228 **Dies** Carbon, Die Nut Sets
- 229 **Dies** Carbon, Die Nuts – Metric & Metric Fine
- 230 **Dies** Carbon, Die Nuts – UNC & UNF
- 220 **Dies** HSS, Button Dies – 8-UN
- 221 **Dies** HSS, Button Dies – 12-UN
- 222 **Dies** HSS, Button Dies – BSPF
- 222 **Dies** HSS, Button Dies – BSPT
- 219 **Dies** HSS, Button Dies – Metric & Metric Fine
- 220 **Dies** HSS, Button Dies – UNC
- 221 **Dies** HSS, Button Dies – UNF
- 212 **Taps** Carbon
- 217 **Taps** Carbon, Bulk – BSW
- 218 **Taps** Carbon, Bulk – G, RC, NPT
- 213 **Taps** Carbon, Bulk – Metric
- 214 **Taps** Carbon, Bulk – Metric Fine
- 215 **Taps** Carbon, Bulk – UNC
- 216 **Taps** Carbon, Bulk – UNF
- 211 **Taps** HSS
- 210 **Taps** Impact
- 236 **Taps** Wrenches & Die Holders
- 242 **Threading** Bolt Extractor Set
- 232 **Threading** Carbon, Tap & Die Sets
- 238 **Threading** DIY Range
- 235 **Threading** HSS, Tap & Die Sets
- 240 **Threading** Pipe Threading System
- 240 **Threading** Pipe Threading System  
- Replacement Parts
- 238 **Threading** Screw Extractors
- 208 **Threading** Tapping Drill Size Chart
- 239 **Threading** Thread Gauges
- 237 **Threading** Workshop Range

# Threading Tapping Drill Size Chart

## M ISO METRIC COARSE (60°)

Tap Size	Pitch mm	Tapping Drill mm
M1.6	0.35	1.25
M2	0.4	1.6
M2.5	0.45	2.05
M3	0.5	2.5
M3.5	0.6	2.9
M4	0.7	3.3
M4.5	0.75	3.7
M5	0.8	4.2
M6	1.0	5.0
M8	1.25	6.8
M10	1.5	8.5
M12	1.75	10.2
M14	2.0	12.0
M16	2.0	14.0
M18	2.5	15.5
M20	2.5	17.5
M22	2.5	19.5
M24	3.0	21.0
M27	3.0	24.0
M30	3.5	26.5
M33	3.5	29.5
M36	4.0	32.0
M42	4.5	37.5
M45	4.5	40.5
M48	5.0	43.0
M52	5.0	47.0
M56	5.5	50.5

## MF ISO METRIC FINE (60°)

M4	0.5	3.5
M5	0.5	4.5
M6	0.75	5.3
M8	1.0	7.0
M10**	1.0	9.0
M10	1.25	8.8
M12**	1.25	10.8
M12	1.5	10.5
M14**	1.25	12.8
M14	1.5	12.5
M16*	1.5	14.5
M18**	1.5	16.5
M20*	1.5	18.5
M22	1.5	20.5
M24	2.0	22.0
M25*	1.5	23.5
M32*	1.5	30.5
M40*	1.5	38.5
M50*	1.5	48.5

\*Metric Conduit \*\*Spark Plug

## 8UN (8 TPI) UNIFIED NATIONAL FORM (60°)

1-1/8	8	25.5
1-1/4	8	28.5
1-3/8	8	31.75
1-1/2	8	35.0
1-5/8	8	38.0
1-3/4	8	41.5
1-7/8	8	44.5
2	8	47.5

## UNC UNIFIED NATIONAL COARSE (60°)

Tap Size	TPI	Tapping Drill mm
#2 (.086)	56	1.85
#3 (.099)	48	2.1
#4 (.112)	40	2.3
#5 (.125)	40	2.6
#6 (.138)	32	2.8
#8 (.164)	32	3.4
#10 (.190)	24	3.8
#12 (.216)	24	4.5
1/4	20	5.1
5/16	18	6.6
3/8	16	8.0
7/16	14	9.4
1/2	13	10.8
9/16	12	12.2
5/8	11	13.5
3/4	10	16.5
7/8	9	19.5
1	8	22.2
1-1/8	7	25.0
1-1/4	7	28.0
1-3/8	6	31.0
1-1/2	6	34.0
1-3/4	5	39.5
2	4.5	45.0

## UNF UNIFIED NATIONAL FINE (60°)

#3 (.099)	56	2.1
#4 (.112)	48	2.35
#5 (.125)	44	2.65
#6 (.138)	40	2.9
#8 (.164)	36	3.5
#10 (.190)	32	4.1
#12 (.216)	28	4.6
3/16*	32	4.0
1/4	28	5.5
5/16	24	6.9
3/8	24	8.5
7/16	20	9.8
1/2	20	11.5
9/16	18	12.8
5/8	18	14.5
3/4	16	17.5
7/8	14	20.5
1	12	23.5
1*	14	24.0
1-1/8	12	26.5
1-1/4	12	29.5
1-3/8	12	33.01
1-1/2	12	36.0

\*UNS

## UNEF UNIFIED NATIONAL FORM (60°)

1/4	32	5.6
5/16	32	7.2
3/8	32	8.8
1/2	28	11.8
5/8	24	14.75
3/4	20	18
1	20	24.2

## BSW BRITISH STANDARD WHITWORTH (55°)

Tap Size	TPI	Tapping Drill mm
1/16*	60	1.2
3/32*	48	1.85
1/8	40	2.55
5/32*	32	3.2
3/16	24	3.7
7/32*	24	4.5
1/4	20	5.1
5/16	18	6.5
3/8	16	7.9
7/16	14	9.3
1/2	12	10.5
9/16	12	12.1
5/8	11	13.5
3/4	10	16.25
7/8	9	19.25
1	8	22.0
1-1/8	7	24.75
1-1/4	7	28.0
1-1/2	6	33.5
1-3/4	5	39.0
2	4-1/2	44.5

\*WHIT. Form

## BSF BRITISH STANDARD FINE (55°)

3/16	32	4.0
7/32	28	4.6
1/4	26	5.3
5/16	22	6.8
3/8	20	8.3
7/16	18	9.8
1/2	16	11.0
9/16	16	12.7
5/8	14	14.0
11/16	14	15.5
3/4	12	16.75
7/8	11	19.75
1	10	22.75
1-1/8	9	25.5
1-1/4	9	28.5
1-1/2	8	34.5
1-3/4	7	41.0

## BSB BRITISH STANDARD BRASS (55°)

1/4	26	5.2
5/16	26	6.8
3/8	26	8.4
7/16	26	10.0
1/2	26	11.6
9/16	26	13.2
5/8	26	14.8
3/4	26	18.0
7/8	26	20.8
1	26	24.3

\*Taper pipe threads of improved quality are obtained when the tapping hole is pre-formed using Sutton Taper Pipe Reamers.

# Threading Tapping Drill Size Chart

**Rc (BSPF)\***  
ISO Rc TAPER SERIES 1:16 (55°)

Tap Size	TPI	Drill Only*	Drill & Reamer
Rc 1/16	28	6.4	6.2
Rc 1/8	28	8.4	8.4
Rc 1/4	19	11.2	10.8
Rc 3/8	19	14.75	14.5
Rc 1/2	14	18.25	18.0
Rc 3/4	14	23.75	23.0
Rc 1	11	30.0	29.0
Rc 1-1/4	11	38.5	38.0
Rc 1-1/2	11	44.5	44.0
Rc 2	11	56.0	55.0

**G (BSPF)**  
ISO G PARALLEL SERIES (55°)

Tap Size	TPI	Tapping Drill mm
G 1/16	28	6.8
G 1/8	28	8.8
G 1/4	19	11.8
G 3/8	19	15.3
G 1/2	14	19.0
G 5/8	14	21.0
G 3/4	14	24.5
G 7/8	14	28.5
G 1	11	31.0
G 1-1/4	11	39.5
G 1-1/2	11	45.5
G 1-3/4	11	51.5
G 2	11	57.5
G 2-1/2	11	72.5

**Rp (BSPPL)**  
SEALING PIPE THREAD PARALLEL (55°)

Rp 1/8	28	8.6
Rp 1/4	19	11.5
Rp 3/8	19	15.0
Rp 1/2	14	18.5
Rp 3/4	14	24.0
Rp 1	11	30.2
Rp 1-1/4	11	39.0
Rp 1-1/2	11	45.0
Rp 2	11	56.4

**Pg (Steel Conduit)**  
(80°)

Pg7	20	11.3
Pg9	18	13.9
Pg11	18	17.3
Pg13.5	18	19.1
Pg16	18	21.2
Pg21	15	26.8

**THREAD FORMING**  
(FLUTELESS TAPS)

Tap Size	Pitch mm	Tapping Drill mm
<b>METRIC COARSE</b>		
M1	0.25	0.9
M1.1	0.25	1.0
M1.2	0.25	1.1
M1.4	0.3	1.28
M1.6	0.35	1.45
M1.7	0.35	1.55
M1.8	0.35	1.65
M2.0	0.40	1.8
M2.2	0.45	2.0
M2.3	0.4	2.1
M2.5	0.45	2.3
M2.6	0.45	2.4
M3	0.5	2.8
M3.5	0.6	3.2
M4	0.7	3.7
M5	0.8	4.6
M6	1.0	5.5
M8	1.25	7.4
M10	1.5	9.3
M12	1.75	11.2
<b>BSW</b>		
1/8	40	2.9
5/32	32	3.6
3/16	24	4.3
1/4	20	5.8
5/16	18	7.3
3/8	16	8.8

**NPT-NPTF\***  
NATIONAL PIPE TAPER 1:16 (60°)

Tap Size	TPI	Drill Only*	Drill & Reamer
1/16	27	6.3	6.0
1/8	27	8.5	8.2
1/4	18	11.0	10.8
3/8	18	14.5	14.0
1/2	14	18.0	17.5
3/4	14	23.0	23.0
1	11-1/2	29.0	28.5
1-1/4	11-1/2	37.5	37.0
1-1/2	11-1/2	44	43.5
2	11-1/2	55.5	55.0

**NPSF**  
NATIONAL PIPE STRAIGHT (60°)

Tap Size	TPI	Tapping Drill mm
1/8	27	8.6
1/4	18	11.3
3/8	18	14.5
1/2	14	18.0

**THREAD FORMING**  
(FLUTELESS TAPS)

Tap Size	T.P.I.	Tapping Drill mm
<b>UNC</b>		
#1 (.073)	64	1.7
#2 (.086)	56	2.0
#3 (.099)	48	2.3
#4 (.112)	40	2.6
#5 (.125)	40	2.9
#6 (.138)	32	3.2
#8 (.164)	32	3.8
#10 (.190)	24	4.4
#12 (.216)	24	5.0
1/4	20	5.8
5/16	18	7.3
3/8	16	8.8
7/16	14	10.2
1/2	13	11.7
<b>UNF</b>		
#1 (.073)	72	1.7
#2 (.086)	64	2.0
#3 (.099)	56	2.3
#4 (.112)	48	2.6
#5 (.125)	44	2.9
#6 (.138)	40	3.2
#8 (.164)	36	3.9
#10 (.190)	32	4.5
#12 (.216)	28	5.1
1/4	28	6.0
5/16	24	7.5
3/8	24	9.0
7/16	20	10.6
1/2	20	12.1
<b>G (BSPF)</b>		
1/8	28	9.25
1/4	19	12.5
3/8	19	16.0
1/2	14	20.0
5/8	14	22.0
3/4	14	25.5
7/8	14	29.25
1	11	32.0

**BA**  
BRITISH ASSOCIATION (47.5°)

Tap Size	Pitch mm	Tapping Drill mm
0	1	5.1
1	0.9	4.5
2	0.81	4.0
3	0.73	3.4
4	0.66	3.0
5	0.59	2.65
6	0.53	2.3
7	0.48	2.05
8	0.43	1.8
9	0.39	1.55
10	0.35	1.4
11	0.31	1.2
12	0.28	1.05
13	0.25	0.98
14	0.23	0.8
15	0.21	0.7
16	0.19	0.6



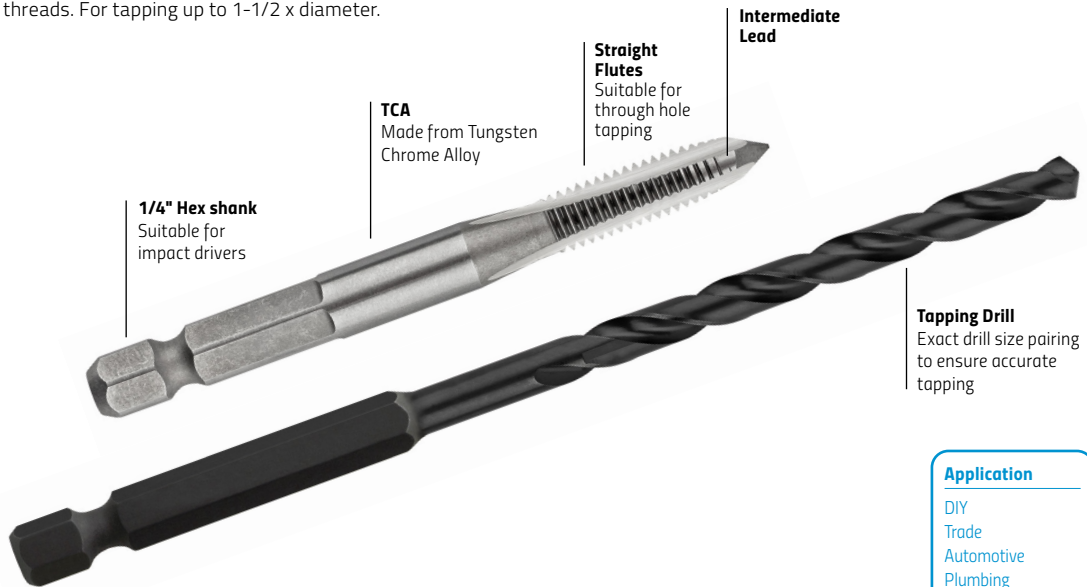
20X  
FASTER\*



Check out the demo

Designed for use in impact drivers for extremely fast tapping speed (3 seconds) in excess of 20x faster than hand tapping. Suitable for steel, aluminium, brass, cast iron, plastic and nylon.

General purpose/maintenance applications only. Not suitable for precision, safety or critical threads. For tapping up to 1-1/2 x diameter.



**Application**  
 DIY  
 Trade  
 Automotive  
 Plumbing  
 Metalworking  
 MRO

Discount Group: D0502

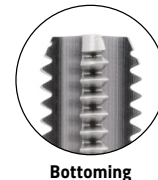
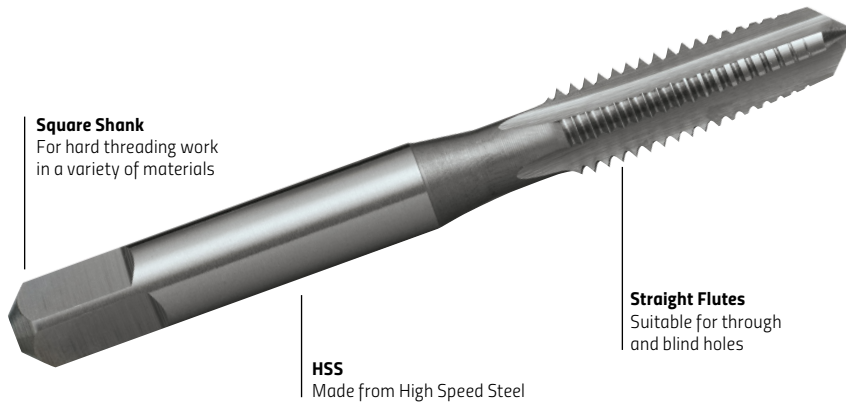
Size	Pitch	Shank Size	Drill Ø	Item #	Barcode
<b>M105</b>					
M3	0.5	1/4	2.5mm	M105 0300	9311963600840
M4	0.7	1/4	3.3mm	M105 0400	9311963600857
M5	0.8	1/4	4.2mm	M105 0500	9311963600864
M6	1	1/4	5.0mm	M105 0600	9311963600871
M8	1.25	1/4	6.8mm	M105 0800	9311963600888
M10 <sup>†</sup>	1.5	1/4	8.5mm <sup>†</sup>	M105 1000	9311963607412
M12 <sup>†</sup>	1.75	1/4	10.2mm <sup>†</sup>	M105 1200	9311963607429

<sup>†</sup>Drill not included - M10 and M12

\* Compared with hand tapping

Sutton Tools HSS Taps are made in Australia for trusted quality. Suitable for general purpose use in hand or machine operations and depths up to 1 x Ø.

**Tap Cut**  
A variety of leads are available to suit various requirements



Discount Group: D0702

Size	Pitch/ TPI	O/A Length	Flute Length	Drill Ø	Item #	Barcode	Item #	Barcode	Item #	Barcode		
<b>Metric</b>					<b>T820*</b>			<b>T821*</b>			<b>T822*</b>	
M3	x0.5	48	11	2.5	T820 0300	9311963611839	T821 0300	9311963611846	T822 0300	9311963611853		
M4	x0.7	53	13	3.3	T820 0400	9311963611860	T821 0400	9311963611877	T822 0400	9311963611884		
M5	x0.8	58	16	4.2	T820 0500	9311963611891	T821 0500	9311963611907	T822 0500	9311963611914		
M6	x1.0	66	19	5	T820 0600	9311963611921	T821 0600	9311963611938	T822 0600	9311963611945		
M8	x1.25	72	22	6.8	T820 0800	9311963611952	T821 0800	9311963611969	T822 0800	9311963611976		
M10	x1.5	80	24	8.5	T820 1000	9311963611983	T821 1000	9311963611990	T822 1000	9311963612003		
M12	x1.75	89	29	10.2	T820 1200	9311963612010	T821 1200	9311963612027	T822 1200	9311963612034		
<b>Unified National Coarse (UNC)</b>					<b>T823*</b>			<b>T824*</b>			<b>T825*</b>	
#10	24	58	16	3.8	T823 0483	9311963612041	T824 0483	9311963612058	T825 0483	9311963612065		
1/4	20	66	19	5.1	T823 0635	9311963612072			T825 0635	9311963612096		
5/16	18	72	22	6.6	T823 0794	9311963612102			T825 0794	9311963612126		
3/8	16	80	24	8	T823 0953	9311963612133	T824 0953	9311963612140	T825 0953	9311963612157		
7/16	14	85	25	9.4	T823 1111	9311963612164	T824 1111	9311963612171	T825 1111	9311963612188		
1/2	13	89	29	10.8	T823 1270	9311963612195	T824 1270	9311963612201	T825 1270	9311963612218		
<b>Rc Series – British Standard Pipe Taper (BSPT)</b>									<b>T826*</b>			
1/8	28	59	15	8.4					T826 0973	9311963612225		
1/4	19	67	19	10.8					T826 1316	9311963612232		
3/8	19	75	21	14.5					T826 1666	9311963612249		
1/2	14	87	26	18					T826 2096	9311963612256		
3/4	14	96	28	23					T826 2644	9311963612263		
<b>National Pipe Taper (NPT)</b>									<b>T827*</b>			
1/8	27	54	19	8.2					T827 1029	9311963612270		
1/4	18	62	27	10.8					T827 1372	9311963612287		
3/8	18	65	27	14					T827 1715	9311963612294		
1/2	14	79	35	17.5					T827 2134	9311963612300		
3/4	14	82	35	23					T827 2667	9311963612317		

**Taper Tap** Used when material is difficult to work (alloy steel) and recommended for small diameter threads.

**Intermediate Tap** Assists in aligning and starting the tap into an untapped hole.

**Bottoming Tap** Offering a continuous cutting edge with almost no taper, it's usually used to cut threads to the bottom of a blind hole.

\*Not available once current stock is depleted

## suttontools

Ideal for routine maintenance, repair work and for re-threading where high accuracy and tolerance thread is not critical. General purpose/ DIY use only. Made from Tungsten Chrome Alloy (TCA).

Note: Straight flute taps are only suitable for hand operations, tapping up to 1-1/2 x diameter.

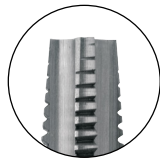
**Tap Cut**  
A variety of leads are available to suit various requirements



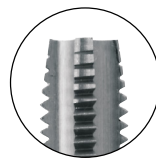
**Square Shank**  
For hard threading work in a variety of materials

**Straight Flutes**  
Suitable for through hole tapping

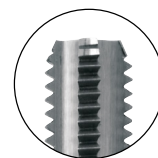
**TCA**  
Made from Tungsten Chrome Alloy



**Taper**



**Intermediate**



**Bottoming**

Discount Group: D0502

Size	Pitch / TPI	Drill Ø	Item #	Barcode	Item #	Barcode	Item #	Barcode
<b>Metric ISO Coarse</b>			<b>M100</b>			<b>M101</b>		
<b>M3</b>	0.5	2.5	M100 0300	9311963420097	M101 0300	9311963420103	M102 0300	9311963420110
<b>M4</b>	0.7	3.3	M100 0400	9311963076850	M101 0400	93829137	M102 0400	9311963076867
<b>M5</b>	0.8	4.2	M100 0500	9311963076874	M101 0500	93829151	M102 0500	9311963076881
<b>M6</b>	1.0	5	M100 0600	9311963076898	M101 0600	93829168	M102 0600	9311963076904
<b>M8</b>	1.25	6.8	M100 0800	9311963076935	M101 0800	93829182	M102 0800	9311963076942
<b>M10</b>	1.5	8.5	M100 1000	9311963076959	M101 1000	93829199	M102 1000	9311963076966
<b>M12</b>	1.75	10.2	M100 1200	9311963076973	M101 1200	93829205	M102 1200	9311963076980
<b>BSW (British Standard Whitworth)</b>			<b>M117</b>					
<b>1/8</b>	40	2.55			M117 0318	93829007		
<b>5/32</b>	32 WHIT	3.2			M117 0397	93829014		
<b>3/16</b>	24	3.7			M117 0476	93829021		
<b>1/4</b>	20	5.1			M117 0635	93829038		
<b>5/16</b>	18	6.5			M117 0794	93829045		
<b>3/8</b>	16	7.9			M117 0953	93829052		
<b>1/2</b>	12	10.5			M117 1270	93829076		

**Taper Tap** Used when material is difficult to work (alloy steel) and recommended for small diameter threads.

**Intermediate Tap** Assists in aligning and starting the tap into an untapped hole.

**Bottoming Tap** Offering a continuous cutting edge with almost no taper, it's usually used to cut threads to the bottom of a blind hole.



# Taps Carbon, Bulk – Metric

**suttontools**

Made from Tungsten Chrome Alloy.

Carbon Taps – Not suitable for precision, safety or critical threads. General purpose / DIY use only. Straight flutes are designed for tapping into materials where chips break-up readily and present no disposal problems, particularly in through-hole tapping. Straight flute taps are only suitable for hand operations, tapping up to 1-1/2 x diameter.

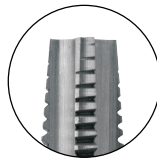
Set comprises 1 each – Taper, Intermediate and Bottoming.

**Tap Cut**  
A variety of leads are available to suit various requirements

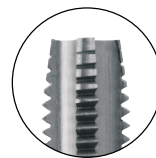


**Application**  
DIY  
Trade  
Automotive  
Plumbing  
Metalworking  
MRO

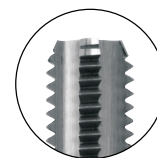
**TCA**  
Made from Tungsten Chrome Alloy



**Taper**



**Intermediate**



**Bottoming**

**Set of 3**

Discount Group: D0502

Size	Pitch	Drill $\phi$	Item #	Item #	Item #	Item #
Metric ISO Coarse			<b>M200</b>	<b>M201</b>	<b>M202</b>	<b>M203</b>
M2	0.4	1.6	M200 0200		M202 0200	
M2.5	0.45	2.05	M200 0250		M202 0250	
M3	0.5	2.5	M200 0300	M201 0300	M202 0300	M203 0300
M3.5	0.6	2.9	M200 0350		M202 0350	
M4	0.7	3.3	M200 0400	M201 0400	M202 0400	M203 0400
M4.5	0.75	3.7	M200 0450		M202 0450	
M5	0.8	4.2	M200 0500	M201 0500	M202 0500	M203 0500
M6	1.0	5	M200 0600	M201 0600	M202 0600	M203 0600
M7	1.0	6	M200 0700	M201 0700	M202 0700	M203 0700
M8	1.25	6.8	M200 0800	M201 0800	M202 0800	M203 0800
M9	1.25	7.8	M200 0900		M202 0900	
M10	1.5	8.5	M200 1000	M201 1000	M202 1000	M203 1000
M11	1.5	9.5	M200 1100		M202 1100	
M12	1.75	10.2	M200 1200	M201 1200	M202 1200	M203 1200
M14	2.0	12	M200 1400	M201 1400	M202 1400	M203 1400
M16	2.0	14	M200 1600	M201 1600	M202 1600	M203 1600
M18	2.5	15.5	M200 1800	M201 1800	M202 1800	M203 1800
M20	2.5	17.5	M200 2000	M201 2000	M202 2000	M203 2000
M22	2.5	19.5	M200 2200	M201 2200	M202 2200	M203 2200
M24	3.0	21	M200 2400	M201 2400	M202 2400	M203 2400
M27	3.0	24	M200 2700	M201 2700	M202 2700	
M30	3.5	26.5	M200 3000	M201 3000	M202 3000	
M33	3.5	29.5	M200 3300	M201 3300	M202 3300	
M36	4.0	32	M200 3600	M201 3600	M202 3600	

**Taper Tap** Used when material is difficult to work (alloy steel) and recommended for small diameter threads.

**Intermediate Tap** Assists in aligning and starting the tap into an untapped hole.

**Bottoming Tap** Offering a continuous cutting edge with almost no taper, it's usually used to cut threads to the bottom of a blind hole.

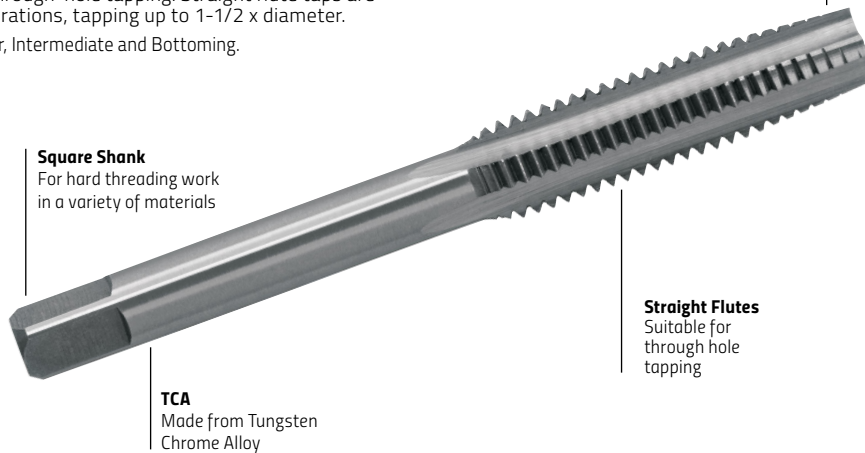


Made from Tungsten Chrome Alloy.

Carbon Taps – Not suitable for precision, safety or critical threads. General purpose / DIY use only. Straight flutes are designed for tapping into materials where chips break-up readily and present no disposal problems, particularly in through-hole tapping. Straight flute taps are only suitable for hand operations, tapping up to 1-1/2 x diameter.

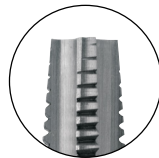
Set comprises 1 each – Taper, Intermediate and Bottoming.

**Top Cut**  
A variety of leads are available to suit various requirements

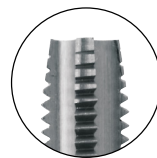


**Application**

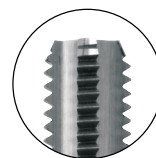
- DIY
- Trade
- Automotive
- Plumbing
- Metalworking
- MRO



**Taper**



**Intermediate**



**Bottoming**

**Set of 3**

**Discount Group: D0502**

Size	Pitch	Drill Ø	Item #	Item #	Item #	Item #
Metric Fine			M204	M205	M206	M207
MF8	1.0	7	M204 0805	M205 0805	M206 0805	M207 0805
MF10	1.25	8.8	M204 1006	M205 1006	M206 1006	M207 1006
MF12	1.5	10.5	M204 1207	M205 1207	M206 1207	M207 1207
MF12	1.25	10.8	M204 1206	M205 1206	M206 1206	M207 1206
MF14	1.5	12.5	M204 1407	M205 1407	M206 1407	M207 1407
MF16	1.5	14.5	M204 1607	M205 1607	M206 1607	M207 1607
MF18	1.5	16.5	M204 1807	M205 1807	M206 1807	M207 1807
MF20	1.5	18.5	M204 2007	M205 2007	M206 2007	M207 2007
MF22	1.5	20.5	M204 2207	M205 2207	M206 2207	M207 2207
MF24	2.0	22	M204 2408	M205 2408	M206 2408	M207 2408
<b>Metric Conduit</b>						
MF16	1.5	14.5	M204 1607	M205 1607	M206 1607	M207 1607
MF20	1.5	18.5	M204 2007	M205 2007	M206 2007	M207 2007
MF25	1.5	23.5	M204 2507	M205 2507	M206 2507	
MF32	1.5	30.5	M204 3207	M205 3207	M206 3207	
MF40	1.5	38.5	M204 4007	M205 4007	M206 4007	
MF50	1.5	48.5	M204 5007	M205 5007	M206 5007	
<b>Spark Plug</b>						
MF10	1.0	9	M204 1005	M205 1005	M206 1005	M207 1005
MF12	1.25	10.8	M204 1206	M205 1206	M206 1206	M207 1206
MF14	1.25	12.8	M204 1406	M205 1406	M206 1406	
MF18	1.5	16.5	M204 1807	M205 1807	M206 1807	M207 1807

**Taper Tap** Used when material is difficult to work (alloy steel) and recommended for small diameter threads.

**Intermediate Tap** Assists in aligning and starting the tap into an untapped hole.

**Bottoming Tap** Offering a continuous cutting edge with almost no taper, it's usually used to cut threads to the bottom of a blind hole.



Made from Tungsten Chrome Alloy.

Carbon Taps – Not suitable for precision, safety or critical threads. General purpose / DIY use only. Straight flutes are designed for tapping into materials where chips break-up readily and present no disposal problems, particularly in through-hole tapping. Straight flute taps are only suitable for hand operations, tapping up to 1-1/2 x diameter.

Set comprises 1 each – Taper, Intermediate and Bottoming.

**Tap Cut**  
A variety of leads are available to suit various requirements



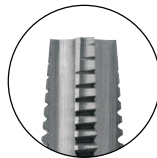
**Square Shank**  
For hard threading work in a variety of materials

**TCA**  
Made from Tungsten Chrome Alloy

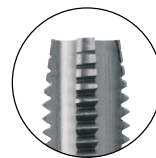
**Straight Flutes**  
Suitable for through hole tapping

**Application**

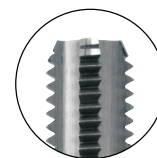
- DIY
- Trade
- Automotive
- Plumbing
- Metalworking
- MRO



**Taper**



**Intermediate**



**Bottoming**

**Set of 3**

**Discount Group: D0502**

Size	TPI	Drill Ø	Item #	Item #	Item #	Item #
<b>UNC (Unified National Coarse)</b>			<b>M216</b>	<b>M217</b>	<b>M218</b>	<b>M219</b>
<b>#10</b>	24	3.8	M216 0483	M217 0483	M218 0483	M219 0483
<b>1/4</b>	20	5.1	M216 0635	M217 0635	M218 0635	M219 0635
<b>5/16</b>	18	6.6	M216 0794	M217 0794	M218 0794	M219 0794
<b>3/8</b>	16	8	M216 0953	M217 0953	M218 0953	M219 0953
<b>7/16</b>	14	9.4	M216 1111	M217 1111	M218 1111	M219 1111
<b>1/2</b>	13	10.8	M216 1270	M217 1270	M218 1270	M219 1270
<b>9/16</b>	12	12.2	M216 1429	M217 1429	M218 1429	M219 1429
<b>5/8</b>	11	13.5	M216 1588	M217 1588	M218 1588	M219 1588
<b>3/4</b>	10	16.5	M216 1905	M217 1905	M218 1905	M219 1905
<b>7/8</b>	9	19.5	M216 2223	M217 2223	M218 2223	M219 2223
<b>1</b>	8	22.2	M216 2540	M217 2540	M218 2540	M219 2540
<b>1-1/8</b>	7	25	M216 2858	M217 2858	M218 2858	
<b>1-1/4</b>	7	28	M216 3175	M217 3175	M218 3175	

**Taper Tap** Used when material is difficult to work (alloy steel) and recommended for small diameter threads.

**Intermediate Tap** Assists in aligning and starting the tap into an untapped hole.

**Bottoming Tap** Offering a continuous cutting edge with almost no taper, it's usually used to cut threads to the bottom of a blind hole.

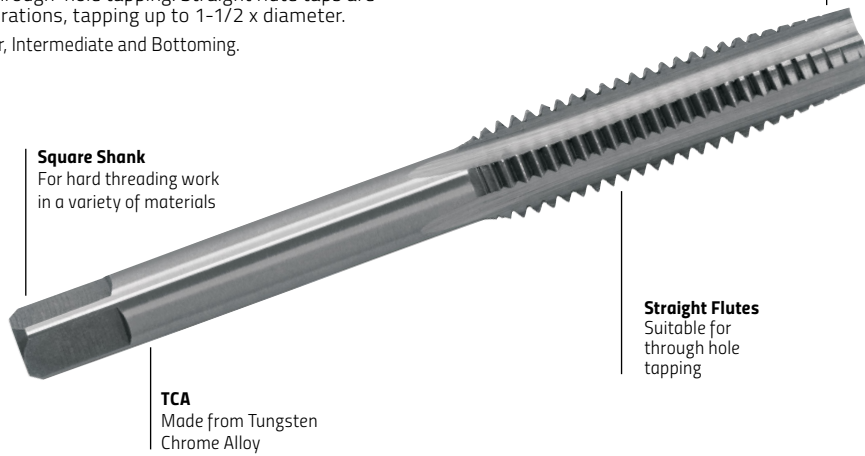


Made from Tungsten Chrome Alloy.

Carbon Taps – Not suitable for precision, safety or critical threads. General purpose / DIY use only. Straight flutes are designed for tapping into materials where chips break-up readily and present no disposal problems, particularly in through-hole tapping. Straight flute taps are only suitable for hand operations, tapping up to 1-1/2 x diameter.

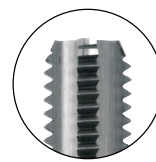
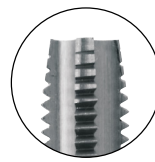
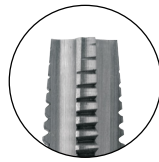
Set comprises 1 each – Taper, Intermediate and Bottoming.

**Top Cut**  
A variety of leads are available to suit various requirements



**Application**

- DIY
- Trade
- Automotive
- Plumbing
- Metalworking
- MRO



Set of 3

Discount Group: D0502

Size	Pitch	Drill Ø	Item #	Item #	Item #	Item #
UNF (Unified National Fine)			M220	M221	M222	M223
1/4	28	5.5	M220 0635	M221 0635	M222 0635	M223 0635
5/16	24	6.9	M220 0794	M221 0794	M222 0794	M223 0794
3/8	24	8.5	M220 0953	M221 0953	M222 0953	M223 0953
7/16	20	9.8	M220 1111	M221 1111	M222 1111	M223 1111
1/2	20	11.5	M220 1270	M221 1270	M222 1270	M223 1270
9/16	18	12.8	M220 1429	M221 1429	M222 1429	M223 1429
5/8	18	14.5	M220 1588	M221 1588	M222 1588	M223 1588
3/4	16	17.5	M220 1905	M221 1905	M222 1905	M223 1905
7/8	14	20.5	M220 2223	M221 2223	M222 2223	M223 2223
1	12	23.5	M220 2540	M221 2540	M222 2540	M223 2540
1	14 UNS	24	M220 2541	M221 2541	M222 2541	M223 2541
1-1/8	12	26.5	M220 2858	M221 2858	M222 2858	
1-1/4	12	29.5	M220 3175	M221 3175	M222 3175	

**Taper Tap** Used when material is difficult to work (alloy steel) and recommended for small diameter threads.

**Intermediate Tap** Assists in aligning and starting the tap into an untapped hole.

**Bottoming Tap** Offering a continuous cutting edge with almost no taper, it's usually used to cut threads to the bottom of a blind hole.



Made from Tungsten Chrome Alloy.

Carbon Taps – Not suitable for precision, safety or critical threads. General purpose / DIY use only. Straight flutes are designed for tapping into materials where chips break-up readily and present no disposal problems, particularly in through-hole tapping. Straight flute taps are only suitable for hand operations, tapping up to 1-1/2 x diameter.

Set comprises 1 each – Taper, Intermediate and Bottoming.



**Square Shank**  
For hard threading work in a variety of materials

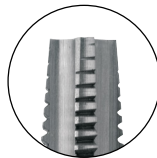
**TCA**  
Made from Tungsten Chrome Alloy

**Straight Flutes**  
Suitable for through hole tapping

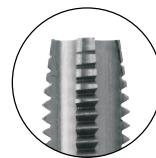
**Tap Cut**  
A variety of leads are available to suit various requirements

**Application**

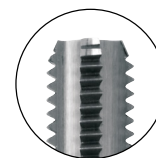
- DIY
- Trade
- Automotive
- Plumbing
- Metalworking
- MRO



**Taper**



**Intermediate**



**Bottoming**

**Set of 3**

**Discount Group: D0502**

Size	TPI	Drill Ø	Item #	Item #	Item #	Item #
<b>BSW (British Standard Whitworth)</b>			<b>M224</b>	<b>M225</b>	<b>M226</b>	<b>M227</b>
1/8	40	2.55	M224 0318	M225 0318	M226 0318	M227 0318
5/32	32 WHIT	3.2	M224 0397	M225 0397	M226 0397	M227 0397
3/16	24	3.7	M224 0476	M225 0476	M226 0476	M227 0476
1/4	20	5.1	M224 0635	M225 0635	M226 0635	M227 0635
5/16	18	6.5	M224 0794	M225 0794	M226 0794	M227 0794
3/8	16	7.9	M224 0953	M225 0953	M226 0953	M227 0953
7/16	14	9.3	M224 1111	M225 1111	M226 1111	M227 1111
1/2	12	10.5	M224 1270	M225 1270	M226 1270	M227 1270
9/16	12	12.1	M224 1429		M226 1429	
5/8	11	13.5			M226 1588	
3/4	10	16.25			M226 1905	
7/8	9	19.25			M226 2223	
1	8	22	M224 2540		M226 2540	

**Taper Tap** Used when material is difficult to work (alloy steel) and recommended for small diameter threads.

**Intermediate Tap** Assists in aligning and starting the tap into an untapped hole.

**Bottoming Tap** Offering a continuous cutting edge with almost no taper, it's usually used to cut threads to the bottom of a blind hole.

## suttontools

Made from Tungsten Chrome Alloy.

Cuts internal threads in pipes and are ideal for pipe fittings. General purpose/DIY use only. These carbon taps are not suitable for precision, safety or critical threads.

Set comprises 1 each – Taper, Intermediate and Bottoming.

**Tap Cut**  
A variety of leads are available to suit various requirements

**Square Shank**  
For hard threading work in a variety of materials

**TCA**  
Made from Tungsten Chrome Alloy

**Straight Flutes**  
Suitable for through hole tapping



### Application

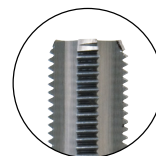
DIY  
Trade  
Automotive  
Plumbing  
Metalworking  
MRO



Taper



Intermediate



Bottoming

Set of 3

### Discount Group: D0502

Size	TPI	Drill Ø	Item #	Item #	Item #	Item #
<b>BSPF (G Series - British Standard Pipe Fitting)</b>			<b>M240</b>	<b>M241</b>	<b>M242</b>	<b>M243</b>
1/8	28	8.8	M240 0973	M241 0973	M242 0973	M243 0973
1/4	19	11.8	M240 1316	M241 1316	M242 1316	M243 1316
3/8	19	15.3	M240 1666	M241 1666	M242 1666	M243 1666
1/2	14	19	M240 2096	M241 2096	M242 2096	M243 2096
5/8	14	21	M240 2291	M241 2291	M242 2291	M243 2291
3/4	14	24.5	M240 2644	M241 2644	M242 2644	M243 2644
1	11	31	M240 3325	M241 3325	M242 3325	M243 3325
1-1/4	11	39.5	M240 4191	M241 4191	M242 4191	
2	11	57.5	M240 5961	M241 5961	M242 5961	
<b>BSPT (Rc Series - British Standard Pipe Taper)</b>					<b>M244</b>	
1/8	28	8.4			M244 0973	
1/4	19	10.8			M244 1316	
3/8	19	14.5			M244 1666	
1/2	14	18			M244 2096	
3/4	14	23			M244 2644	
1	11	29			M244 3325	
1-1/4	11	38			M244 4191	
1-1/2	11	44			M244 4780	
2	11	55			M244 5961	
<b>NPT (National Pipe Taper) 15° Chamfer</b>					<b>M245</b>	
1/8	27	8.4			M245 1029	
1/4	18	10.8			M245 1372	
3/8	18	14.5			M245 1715	
1/2	14	18			M245 2134	
3/4	14	23			M245 2667	
1	11-1/2	29			M245 3340	
1-1/4	11-1/2	38			M245 4216	
1-1/2	11-1/2	44			M245 4826	
2	11-1/2	55			M245 6033	

**Taper Tap** Used when material is difficult to work (alloy steel) and recommended for small diameter threads.

**Intermediate Tap** Assists in aligning and starting the tap into an untapped hole.

**Bottoming Tap** Offering a continuous cutting edge with almost no taper, it's usually used to cut threads to the bottom of a blind hole.

# Dies HSS, Button Dies – Metric & Metric Fine



Button Dies are used for cutting a new male/external thread on studs. Made from High Speed Steel. Suitable for cleaning existing threads in tough applications. Produce more accurate threads than carbon dies.



**Application**

- DIY
- Trade
- Automotive
- Plumbing
- Metalworking
- MRO



Discount Group: D0204

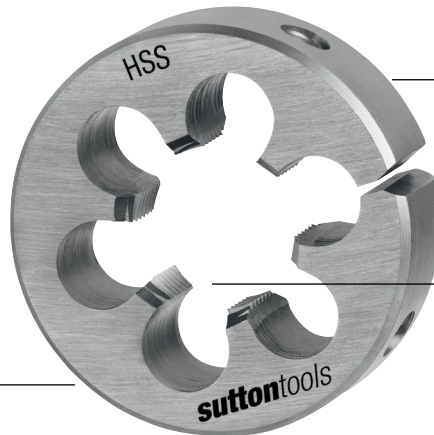
Size	Pitch	Item #	Barcode	Item #	Barcode	Item #	Barcode
<b>Metric ISO Coarse</b>		<b>M551</b>			<b>M552</b>		
M2	0.4	M551 0200	9311963593647				
M3	0.5	M551 0300	9311963593654				
M4	0.7	M551 0400	9311963593661				
M5	0.8	M551 0500	9311963593678				
M6	1.0	M551 0600	9311963593685				
M8	1.25	M551 0800	9311963593692				
M10	1.5	M551 1000	9311963593708				
M12	1.75	M551 1200	9311963593715				
M12	1.75			M552 1200	9311963593722		
M14	2.0			M552 1400	9311963593739		
M16	2.0			M552 1600	9311963593746		
M18	2.5			M552 1800	9311963593753		
M20	2.5			M552 2000	9311963593760		
M22	2.5			M552 2200	9311963593777		
M24	3.0			M552 2400	9311963593784		
M30	3.5					M553 3000	9311963593791
M33	3.5					M553 3300	9311963593807
M36	4.0					M553 3600	9311963593814
M39	4.0					M553 3900	9311963593821
M42	4.5					M553 4200	9311963593838
M45	4.5					M553 4500	9311963593845
M48	5.0					M553 4800	9311963593852
<b>Metric Fine</b>		<b>M554</b>			<b>M555</b>		
MF6	0.75	M554 0604	9311963593869				
MF8	1.0	M554 0805	9311963593876				
MF10	1.0	M554 1005	9311963593883				
MF10	1.25	M554 1006	9311963593890				
MF12	1.25	M554 1206	9311963593906				
MF12	1.5	M554 1207	9311963593913				
MF14	1.0			M555 1405	9311963593920		
MF14	1.25			M555 1406	9311963593937		
MF14	1.5			M555 1407	9311963593944		
MF16	1.0			M555 1605	9311963593951		
MF16	1.5			M555 1607	9311963593968		
					<b>M556</b>		
MF20	1.5			M556 2007	9311963593975		
MF22	1.5			M556 2207	9311963593982		
MF24	2.0			M556 2408	9311963593999		
MF25	1.5			M556 2507	9311963594002		

Section Index

## Dies HSS, Button Dies – UNC

# suttontools

Button Dies are used for cutting a new male/external thread on studs. Made from High Speed Steel. Suitable for cleaning existing threads in tough applications. Produce more accurate threads than carbon dies.



**Solid Round Die**  
Fits into adjustable guide or plain die stock handle

**Cutting Teeth**  
Provide a precise thread

**High Speed Steel**  
For longer tool life

### Application

DIY  
Trade  
Automotive  
Plumbing  
Metalworking  
MRO



### Discount Group: D0204

Size	TPI	Item #	Barcode	Item #	Barcode	Item #	Barcode
<b>UNC (Unified National Coarse)</b>		<b>M561</b>		<b>M562</b>		<b>M563</b>	
#6	32	M561 0351	9311963594019				
#8	32	M561 0417	9311963594026				
#10	24	M561 0483	9311963594033				
#12	24	M561 0549	9311963594040				
1/4	20	M561 0635	9311963594057				
5/16	18	M561 0794	9311963594064				
3/8	16	M561 0953	9311963594071				
7/16	14	M561 1111	9311963594088				
1/2	13	M561 1270	9311963594095	M562 1270	9311963594101		
5/8	11			M562 1588	9311963594118		
3/4	10			M562 1905	9311963594125		
7/8	9			M562 2223	9311963594132		
1"	8			M562 2540	9311963594149		
1-1/8	7					M563 2858	9311963594156
1-1/4	7					M563 3175	9311963594163
1-3/8	6					M563 3493	9311963594170
1-1/2	6					M563 3810	9311963594187
1-5/8	5.5					M563 4128	9311963594194
1-3/4	5					M563 4445	9311963594200
1-7/8	5					M563 4763	9311963594217
2"	4.5					M563 5080	9311963594224

## Dies HSS, Button Dies – 8-UN



### Discount Group: D0204

Size	TPI	Item #	Barcode	Item #	Barcode
<b>8-UN (Unified National)</b>		<b>M566</b>		<b>M567</b>	
1-1/8	8	M566 2858	9311963594378		
1-1/4	8	M566 3175	9311963594385		
1-3/8	8	M566 3493	9311963594392		
1-1/2	8	M566 3810	9311963594408		
1-5/8	8			M567 4128	9311963594415
1-3/4	8			M567 4445	9311963594422
1-7/8	8			M567 4763	9311963594439
2"	8			M567 5080	9311963594446



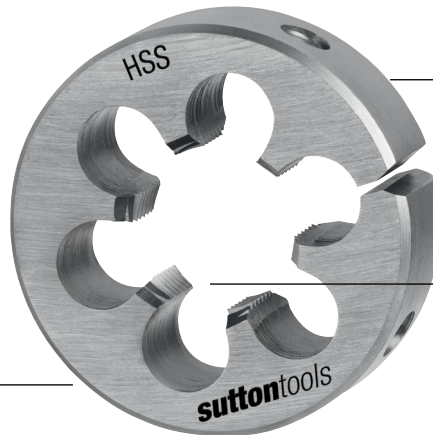
## Dies HSS, Button Dies – UNF

# suttontools

Button Dies are used for cutting a new male/external thread on studs. Made from High Speed Steel. Suitable for cleaning existing threads in tough applications. Produce more accurate threads than carbon dies.



**High Speed Steel**  
For longer tool life



**Solid Round Die**  
Fits into adjustable guide or plain die stock handle

**Cutting Teeth**  
Provide a precise thread

### Application

DIY  
Trade  
Automotive  
Plumbing  
Metalworking  
MRO

### Discount Group: D0204

Size	TPI	Item #	Barcode	Item #	Barcode
<b>UNF (Unified National Fine)</b>		<b>M564</b>		<b>M565</b>	
#6	40	M564 0351	9311963594231		
#8	36	M564 0417	9311963594248		
#10	32	M564 0483	9311963594255		
#12	28	M564 0549	9311963594262		
1/4	28	M564 0635	9311963594279		
5/16	24	M564 0794	9311963594286		
3/8	24	M564 0953	9311963594293		
7/16	20	M564 1111	9311963594309		
1/2	20	M564 1270	9311963594316		
9/16	18			M565 1429	9311963594323
5/8	18			M565 1588	9311963594330
3/4	16			M565 1905	9311963594347
7/8	14			M565 2223	9311963594354
1"	12			M565 2540	9311963594361

## Dies HSS, Button Dies – 12-UN

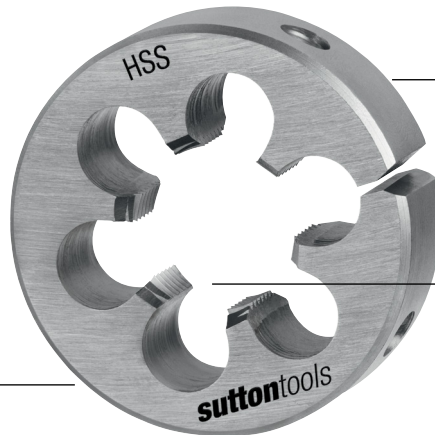
### Discount Group: D0204

Size	TPI	Item #	Barcode
<b>12-UN (Unified National)</b>		<b>M568</b>	
1-1/8	12	M568 2858	9311963594453
1-1/4	12	M568 3175	9311963594460
1-3/8	12	M568 3493	9311963594477
1-1/2	12	M568 3810	9311963594484
1-5/8	12	M568 4128	9311963594491
1-3/4	12	M568 4445	9311963594507
1-7/8	12	M568 4763	9311963594514
2"	12	M568 5080	9311963594521

## Dies HSS, Button Dies – BSPF

# suttontools

Button Dies are used for cutting a new male/external thread on studs. Made from High Speed Steel. Suitable for cleaning existing threads in tough applications. Produce more accurate threads than carbon dies.



**Solid Round Die**  
Fits into adjustable guide or plain die stock handle

**Cutting Teeth**  
Provide a precise thread

**High Speed Steel**  
For longer tool life

### Application

DIY  
Trade  
Automotive  
Plumbing  
Metalworking  
MRO



### Discount Group: D0204

Size	TPI	Item #	Barcode	Item #	Barcode	Item #	Barcode
<b>BSPF (British Standard Pipe)</b>		<b>M569</b>		<b>M570</b>		<b>M571</b>	
1/8	28	M569 0973	9311963594538				
1/4	19			M570 1316	9311963594545		
3/8	19			M570 1666	9311963594552		
1/2	14			M570 2096	9311963594569		
5/8	14			M570 2291	9311963594576		
3/4	14			M570 2644	9311963594583		
1"	11					M571 3325	9311963594590
1-1/4	11					M571 4191	9311963594606
1-1/2	11					M571 4780	9311963594613

## Dies HSS, Button Dies – BSPT



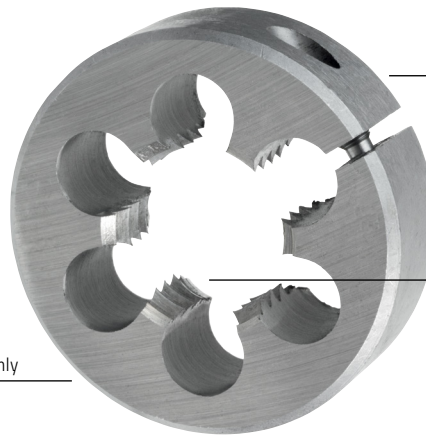
3"

### Discount Group: D0204

Size	TPI	Item #	Barcode
<b>BSPT (British Standard Pipe Taper)</b>		<b>M572</b>	
1"	11	M572 3325	9311963594620
1-1/4	11	M572 4191	9311963594637
1-1/2	11	M572 4780	9311963594644

## suttontools

Button Dies are used for cutting a new male/external thread on studs.  
Carbon Alloy Steel threading tools are not suitable for precision, safety or critical thread. General purpose / DIY use only.



**Solid Round Die**  
Fits into adjustable guide or plain die stock handle

**Cutting Teeth**  
Provide a general purpose thread

**Carbon Alloy Steel**  
Suitable for general purpose / DIY use only

### Application

DIY  
Trade  
Automotive  
Plumbing  
Metalworking  
MRO



1"



1-1/2"



2"

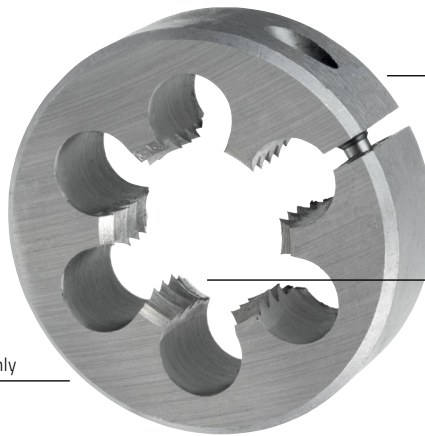
Discount Group: D0202

Size	Pitch	Item #	Barcode	Item #	Barcode	Item #	Barcode
<b>Metric ISO Coarse</b>		<b>M400</b>		<b>M401</b>		<b>M402</b>	
M2	0.4	M400 0200	9311963025230				
M2.5	0.45	M400 0250	9311963029733				
M3	0.5	M400 0300	9311963018966				
M3.5	0.6	M400 0350	9311963040875				
M4	0.7	M400 0400	9311963016481				
M5	0.8	M400 0500	9311963007274				
M6	1.0	M400 0600	9311963007540				
M7	1.0	M400 0700	9311963029740				
M8	1.25	M400 0800	9311963007861	M401 0800	9311963011806		
M9	1.25	M400 0900	9311963021812				
M10	1.5	M400 1000	9311963009971	M401 1000	9311963010755		
M11	1.5	M400 1100	9311963032665				
M12	1.75	M400 1200	9311963020273	M401 1200	9311963021829	M402 1200	9311963011813
M14	2.0			M401 1400	9311963040899	M402 1400	9311963040905
M16	2.0					M402 1600	9311963006505
M18	2.5					M402 1800	9311963029757
M20	2.5					M402 2000	9311963012414
M22	2.5					M402 2200	9311963040912
M24	3.0					M402 2400	9311963016498

# Dies Carbon, Button Dies – Metric Fine



Button Dies are used for cutting a new male/external thread on studs.  
Carbon Alloy Steel threading tools are not suitable for precision, safety or critical thread. General purpose / DIY use only.



**Solid Round Die**  
Fits into adjustable guide or plain die stock handle

**Cutting Teeth**  
Provide a general purpose thread

**Carbon Alloy Steel**  
Suitable for general purpose / DIY use only

### Application

DIY  
Trade  
Automotive  
Plumbing  
Metalworking  
MRO



### Discount Group: D0202

Size	Pitch	Item #	Barcode	Item #	Barcode	Item #	Barcode
<b>Metric Fine</b>		<b>M403</b>		<b>M404</b>		<b>M405</b>	
MF8	1.0	M403 0805	9311963023410				
MF10	1.0	M403 1005	9311963419954				
MF10	1.25	M403 1006	9311963020280	M404 1006	9311963020297		
MF12	1.25	M403 1206	9311963025247	M404 1206	9311963023427	M405 1206	9311963040929
MF12*	1.5	M403 1207	9311963027173	M404 1207	9311963027180	M405 1207	9311963036472
MF14	1.25			M404 1406	9311963081724	M405 1406	9311963081380
MF14	1.5			M404 1407	9311963025254	M405 1407	9311963023434
MF16	1.5					M405 1607	9311963013701
MF18	1.5					M405 1807	9311963020303
MF20	1.5					M405 2007	9311963020310
MF22	1.5					M405 2207	9311963081397
MF24	2.0					M405 2408	9311963081403
<b>Metric Conduit</b>							
MF16	1.5					M405 1607	9311963013701
MF20	1.5					M405 2007	9311963020310
MF25	1.5					M405 2507	9311963040936
<b>Metric Spark Plug</b>							
MF10	1.0	M403 1005	9311963419954				
MF12	1.25	M403 1206	9311963025247	M404 1206	9311963023427	M405 1206	9311963040929
MF14	1.25			M404 1406	9311963081724	M405 1406	9311963081380
MF18	1.5					M405 1807	9311963020303

\*Alternative Metric Fine

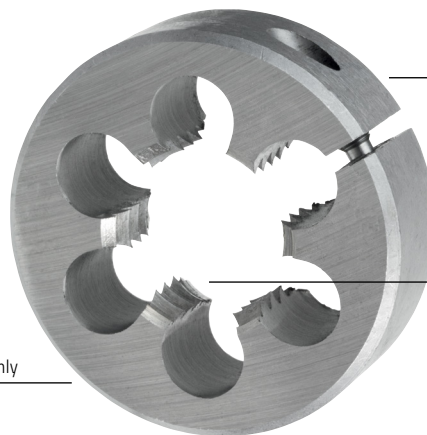
## Dies Carbon, Button Dies – UNC

# suttontools

Button Dies are used for cutting a new male/external thread on studs.  
Carbon Alloy Steel threading tools are not suitable for precision, safety or critical thread. General purpose / DIY use only.



**Carbon Alloy Steel**  
Suitable for general purpose / DIY use only



**Solid Round Die**  
Fits into adjustable guide or plain die stock handle

**Cutting Teeth**  
Provide a general purpose thread

### Application

DIY  
Trade  
Automotive  
Plumbing  
Metalworking  
MRO

Discount Group: D0202



1"



1-1/2"



2"

Size	TPI	Item #	Barcode	Item #	Barcode	Item #	Barcode
<b>UNC (Unified National Coarse)</b>		<b>M412</b>		<b>M413</b>		<b>M414</b>	
#5	40	M412 0318	9311963027197				
#6	32	M412 0351	9311963016504				
#8	32	M412 0417	9311963018973				
#10	24	M412 0483	9311963025261				
#12	24	M412 0549	9311963025278				
1/4	20	M412 0635	9311963021836				
5/16	18	M412 0794	9311963016511	M413 0794	9311963025292		
3/8	16	M412 0953	9311963018980	M413 0953	9311963023458		
7/16	14	M412 1111	9311963020327	M413 1111	9311963027203		
1/2	13	M412 1270	9311963023441	M413 1270	9311963020334	M414 1270	9311963018997
9/16	12			M413 1429	9311963029764	M414 1429	9311963036489
5/8	11			M413 1588	9311963020341	M414 1588	9311963019000
3/4	10					M414 1905	9311963019017
7/8	9					M414 2223	9311963027210
1	8					M414 2540	9311963025308

Section Index

## Dies Carbon, Button Dies – UNF

Discount Group: D0202



1"



1-1/2"



2"

Size	TPI	Item #	Barcode	Item #	Barcode	Item #	Barcode
<b>UNF (Unified National Fine)</b>		<b>M415</b>		<b>M416</b>		<b>M417</b>	
#5	44	M415 0318	9311963040943				
#6	40	M415 0351	9311963040950				
#8	36	M415 0417	9311963050997				
#10	32	M415 0483	9311963021843				
#12	28	M415 0549	9311963027227				
3/16	32 UNS	M415 0476	9311963015514				
1/4	28	M415 0635	9311963014623				
5/16	24	M415 0794	9311963010359	M416 0794	9311963014647		
3/8	24	M415 0953	9311963016528	M416 0953	9311963017785		
7/16	20	M415 1111	9311963014630	M416 1111	9311963019024		
1/2	20	M415 1270	9311963021850	M416 1270	9311963013107	M417 1270	9311963017792
9/16	18			M416 1429	9311963025315	M417 1429	9311963025322
5/8	18			M416 1588	9311963013718	M417 1588	9311963009124
3/4	16					M417 1905	9311963006512
7/8	14					M417 2223	9311963013725
1	12					M417 2540	9311963014654
1	14 UNS					M417 2541	9311963025339

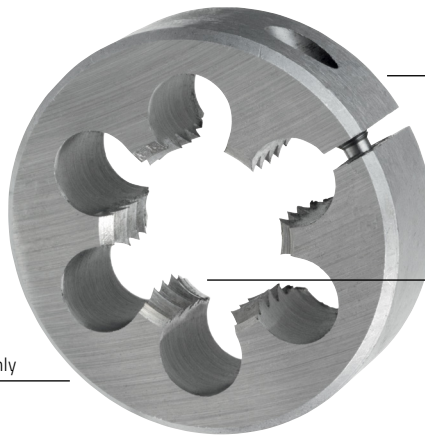
# Dies Carbon, Button Dies – BSW

## suttontools

Button Dies are used for cutting a new male/external thread on studs.  
Carbon Alloy Steel threading tools are not suitable for precision, safety or critical thread. General purpose / DIY use only.



**Carbon Alloy Steel**  
Suitable for general purpose / DIY use only



**Solid Round Die**  
Fits into adjustable guide or plain die stock handle

**Cutting Teeth**  
Provide a general purpose thread

### Application

DIY  
Trade  
Automotive  
Plumbing  
Metalworking  
MRO



1"



2"

### Discount Group: D0202

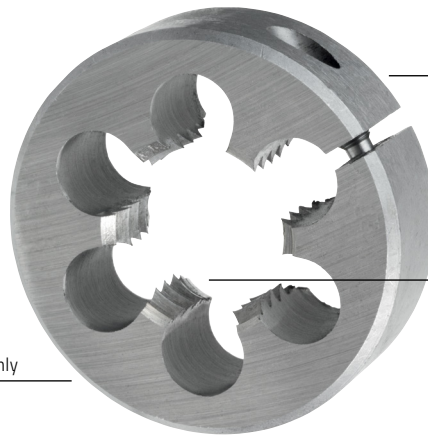
Size	TPI	Item #	Barcode	Item #	Barcode
<b>BSW (British Standard Whitworth)</b>		<b>M418</b>		<b>M420</b>	
1/8	40	M418 0318	9311963021867		
5/32	32 WHIT	M418 0397	9311963021874		
3/16	24	M418 0476	9311963029771		
1/4	20	M418 0635	9311963014661		
5/16	18	M418 0794	9311963012421		
3/8	16	M418 0953	9311963021881		
7/16	14				
1/2	12	M418 1270	9311963021898	M420 1270	9311963005515
9/16	12			M420 1429	9311963032689
5/8	11			M420 1588	9311963013749
3/4	10			M420 1905	9311963013121
7/8	9			M420 2223	9311963025346
1	8			M420 2540	9311963016535

Section Index

# Dies Carbon, Button Dies – RC & NPT (Taper)



Button Dies are used for cutting a new male/external thread on studs.  
Carbon Alloy Steel threading tools are not suitable for precision, safety or critical thread. General purpose / DIY use only.



**Solid Round Die**  
Fits into adjustable guide or plain die stock handle

**Cutting Teeth**  
Provide a general purpose thread

**Carbon Alloy Steel**  
Suitable for general purpose / DIY use only

### Application

- DIY
- Trade
- Automotive
- Plumbing
- Metalworking
- MRO



2"

### Discount Group: D0202

Size	TPI	Item #	Barcode
<b>Rc Series - BSPT (British Standard Pipe Taper)</b>		<b>M438</b>	
1/8	28	M438 0973	9311963025377
1/4	19	M438 1316	9311963029849
3/8	19	M438 1666	9311963025384
1/2	14	M438 2096	9311963021928
3/4	14	M438 2644	9311963020365
<b>NPT (National Pipe Taper)</b>		<b>M429</b>	
1/8	27	M429 1029	9311963021935
1/4	18	M429 1372	9311963016566
3/8	18	M429 1715	9311963023502
1/2	14	M429 2134	9311963029856
3/4	14	M429 2667	9311963029863
1	11-1/2	M429 3340	9311963419961

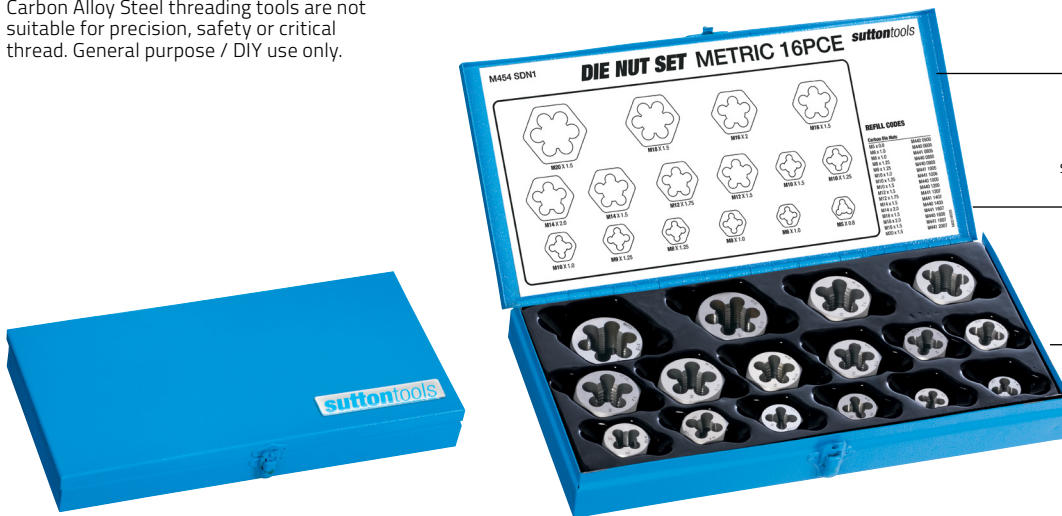
Section Index

# Dies Carbon, Die Nut Sets

## suttontools

Die Nut – for cleaning and resizing existing damaged threads.

Carbon Alloy Steel threading tools are not suitable for precision, safety or critical thread. General purpose / DIY use only.



**Layout Chart**  
Quickly and easily identifies location of items

**Metal Case**  
Solid construction, ideal for storage and transportation of your tools

**Slim Line Design**  
Fits comfortably into tool chest, drawers and work bench

Discount Group: D0802

Set	Contents	Pieces	Item #	Barcode
				<b>M454</b>
<b>Metric</b>	5 x 0.8, 6 x 1, 8 x 1, 8 x 1.25, 9 x 1.25, 10 x 1, 10 x 1.25, 10 x 1.5, 12 x 1.75, 12 x 1.5, 14 x 1.5, 14 x 2, 16 x 1.5, 16 x 2, 18 x 1.5, 20 x 1.5mm	16	M454 SDN1	9311963032832
<b>BSW</b>	1/4, 5/16, 3/8, 7/16, 1/2, 9/16, 5/8, 3/4, 7/8, 1"	10	M454 SDN2	9311963051185
<b>UNC</b>	1/4, 5/16, 3/8, 7/16, 1/2, 9/16, 5/8, 3/4, 7/8, 1"	10	M454 SDN3	9311963032849
<b>UNF</b>	1/4, 5/16, 3/8, 7/16, 1/2, 9/16, 5/8, 3/4, 7/8, 1"	10	M454 SDN4	9311963032856



M454 SDN1



M454 SDN2



M454 SDN3

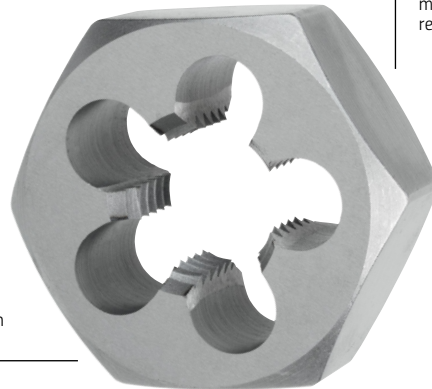
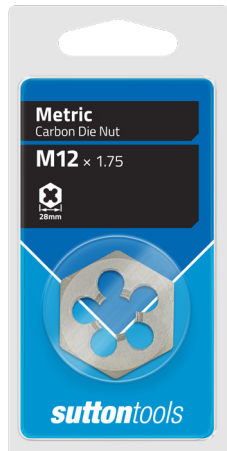


M454 SDN4





Die Nuts are designed for cleaning and resizing existing damaged threads.  
Carbon Alloy Steel threading tools are not suitable for precision, safety or critical thread. General purpose / DIY use only.



**Hexagon Die**  
Best suited for maintenance and repair work

**Limited Space**  
Die can be used with a wrench or socket



**Application**

- DIY
- Trade
- Automotive
- Plumbing
- Metalworking
- MRO

Discount Group: D0202

Size	Pitch	AF	Item #	Blister Barcode	Item #	Box Barcode
<b>Metric ISO Coarse</b>			<b>M440</b>		<b>M440</b>	
M5	0.8	18	M440 0500	9311963017815		
M6	1.0	18	M440 0600	9311963011851		
M7	1.0	18	M440 0700	9311963032740		
M8	1.25	21	M440 0800	9311963009988		
M9	1.25	23.5	M440 0900	9311963041087		
M10	1.5	23.5	M440 1000	9311963023526		
M12	1.75	28	M440 1200	9311963010762		
M14	2.0	33	M440 1400	9311963029887		
M16	2.0	33	M440 1600	9311963013756		
M18	2.5	37.5	M440 1800	9311963051086		
M20	2.5	37.5			M440 2000	9311963021942
M22	2.5	42.5			M440 2200	9311963036588
M24	3.0	52			M440 2400	9311963023533
M27	3.0	56.5			M440 2700	9311963041094
M30	3.5	56.5			M440 3000	9311963020372
M33	3.5	65.5			M440 3300	9311963051093
M36	4.0	70			M440 3600	9311963041100
<b>Metric Fine</b>			<b>M441</b>		<b>M441</b>	
MF8	1.0	21	M441 0805	9311963029894		
MF10	1.0	23.5	M441 1005	9311963025407		
MF10	1.25	23.5	M441 1006	9311963015521		
MF12	1.25	28	M441 1206	9311963013763		
MF12*	1.5	28	M441 1207	9311963011868		
MF14	1.5	33	M441 1407	9311963021959		
MF16	1.5	33	M441 1607	9311963029900		
MF18	1.5	37.5	M441 1807	9311963029917		
MF20	1.5	37.5			M441 2007	9311963027272
<b>Metric Conduit</b>						
MF16	1.5	33	M441 1607	9311963029900		
MF20	1.5	37.5			M441 2007	9311963027272
<b>Metric Spark Plug</b>						
MF10	1.0	23.5	M441 1005	9311963025407		
MF12	1.25	28	M441 1206	9311963013763		
MF18	1.5	37.5	M441 1807	9311963029917		

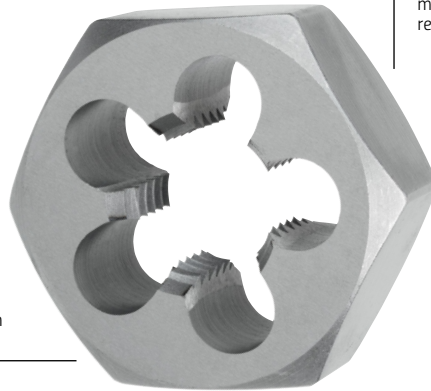
\*Alternative Metric Fine

## suttontools

Die Nuts are designed for cleaning and resizing existing damaged threads.  
Carbon Alloy Steel threading tools are not suitable for precision, safety or critical thread. General purpose / DIY use only.



**Limited Space**  
Die can be used with a wrench or socket



**Hexagon Die**  
Best suited for maintenance and repair work

### Application

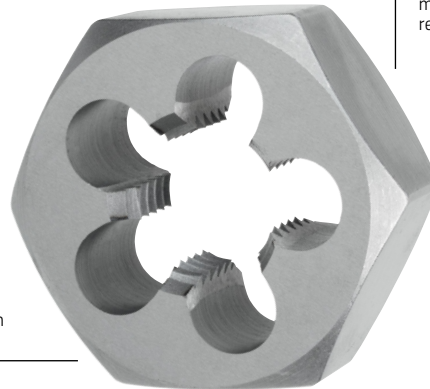
DIY  
Trade  
Automotive  
Plumbing  
Metalworking  
MRO

Discount Group: D0202

Size	Pitch	AF	Item #	Blister Barcode	Item #	Box Barcode
<b>UNC (Unified National Coarse)</b>			<b>M445</b>		<b>M445</b>	
1/4	20	18	M445 0635	9311963025414		
5/16	18	21	M445 0794	9311963016597		
3/8	16	23.5	M445 0953	9311963013770		
7/16	14	25.5	M445 1111	9311963014692		
1/2	13	28	M445 1270	9311963013138		
9/16	12	33	M445 1429	9311963027289		
5/8	11	33	M445 1588	9311963023540		
3/4	10	37.5	M445 1905	9311963027296		
7/8	9	42.5			M445 2223	9311963025421
1	8	52			M445 2540	9311963027302
1-1/8	7	56.5			M445 2858	9311963419978
1-1/4	7	56.5			M445 3175	9311963419985
1-1/2	6	70			M445 3810	9311963419992
<b>UNF (Unified National Fine)</b>			<b>M446</b>		<b>M446</b>	
3/16	32 UNS	18	M446 0476	9311963016610		
1/4	28	18	M446 0635	9311963016603		
5/16	24	21	M446 0794	9311963012445		
3/8	24	23.5	M446 0953	9311963011356		
7/16	20	25.5	M446 1111	9311963011363		
1/2	20	28	M446 1270	9311963011875		
9/16	18	33	M446 1429	9311963020389		
5/8	18	33	M446 1588	9311963010779		
3/4	16	37.5	M446 1905	9311963010786		
7/8	14	42.5			M446 2223	9311963021966
1	12	52			M446 2540	9311963015538
1	14 UNS	52			M446 2541	9311963019093
1-1/8	12	56.5			M446 2858	9311963032757
1-1/4	12	56.5			M446 3175	9311963023557
1-3/8	12	65.5			M446 3493	9311963036595
1-1/2	12	70			M446 3810	9311963041117

# suttontools

Die Nuts are designed for cleaning and resizing existing damaged threads. Carbon Alloy Steel threading tools are not suitable for precision, safety or critical thread. General purpose / DIY use only.



**Hexagon Die**  
Best suited for maintenance and repair work

**Limited Space**  
Die can be used with a wrench or socket



**Application**  
DIY  
Trade  
Automotive  
Plumbing  
Metalworking  
MRO

Discount Group: D0202

Size	TPI	AF	Item #	Blister Barcode	Item #	Box Barcode
<b>BSW (British Standard Whitworth)</b>			<b>M447</b>		<b>M447</b>	
1/8	40	18	M447 0318	9311963036601		
5/32	32	18	M447 0397	9311963029924		
3/16	24	18	M447 0476	9311963021973		
1/4	20	18	M447 0635	9311963023564		
5/16	18	21	M447 0794	9311963025438		
3/8	16	23.5	M447 0953	9311963009131		
7/16	14	25.5	M447 1111	9311963025445		
1/2	12	28	M447 1270	9311963013787		
9/16	12	33	M447 1429	9311963032764		
5/8	11	33	M447 1588	9311963021980		
3/4	10	37.5	M447 1905	9311963021997		
7/8	9	42.5			M447 2223	9311963032771
1	8	52			M447 2540	9311963027319
1-1/8	7	56.5			M447 2858	9311963041124
1-1/4	7	56.5			M447 3175	9311963027326
1-1/2	6	70			M447 3810	9311963041131
1-3/4	5	80			M447 4445	9311963051109
2	4-1/2	90			M447 5080	9311963051116
<b>BSF (British Standard Fine)</b>			<b>M448</b>		<b>M448</b>	
3/16	32	18	M448 0476	9311963036618		
1/4	26	18	M448 0635	9311963025452		
5/16	22	21	M448 0794	9311963027333		
3/8	20	23.5	M448 0953	9311963029931		
7/16	18	25.5	M448 1111	9311963025469		
1/2	16	28	M448 1270	9311963032788		
9/16	16	33	M448 1429	9311963029948		
5/8	14	33	M448 1588	9311963051123		
3/4	12	37.5	M448 1905	9311963041148		
7/8	11	42.5				
1	10	52			M448 2540	9311963029955
<b>G Series - BSPF (British Standard Pipe Fitting)</b>			<b>M452</b>		<b>M452</b>	
1/8	28	23.5	M452 0973	9311963022000		
1/4	19	28	M452 1316	9311963020396		
3/8	19	33	M452 1666	9311963027340		
1/2	14	42.5	M452 2096	9311963032795		
5/8	14	42.5	M452 2291	9311963051147		
3/4	14	52			M452 2644	9311963032801
1	11	65.5			M452 3325	9311963029962



M500 M12



M500 M16



M500 M26



M500 M35



M500 M46



M500 NC12



M500 NC25



M500 NC35



M500 NF35



M500 W15



M500 W35

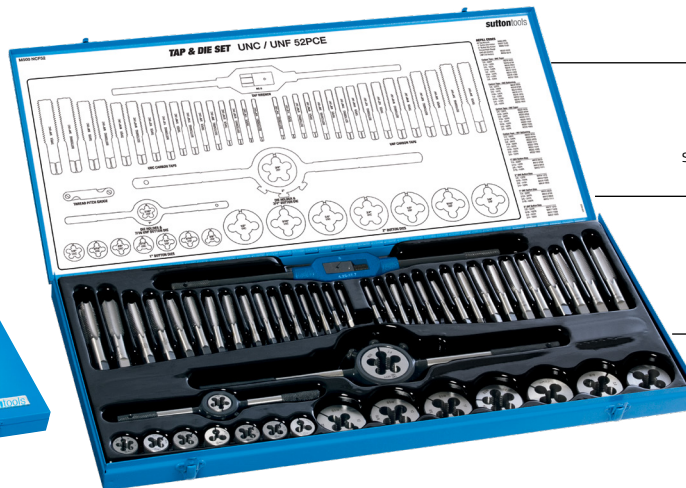
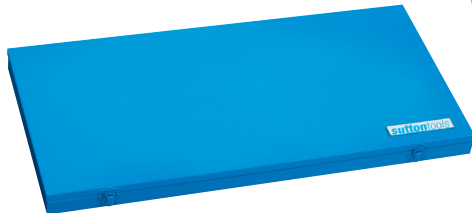
Section  
Index

# Threading Carbon, Tap & Die Sets

## suttontools

Available in a selection of modular set configurations, in both metric and imperial.

Tools are manufactured from carbon alloy steel which are suitable for general purpose/DIY use only. Not suitable for precision, safety or critical threads.



**Layout Chart**  
Quickly and easily identifies location of items

**Metal Case**  
Solid construction, ideal for storage and transportation of your tools

**Slim Line Design**  
Fits comfortably into tool chest, drawers and work bench

Discount Group: D0802

Set	Contents	Tap Wrench	Button Die Holders	Pieces	Item #	Barcode
<b>M500</b>						
<b>TD14 Metric</b> Intermediate Taps 1" Button Dies	M6 x 1.0, M8 x 1.25, M10 x 1.25, M10 x 1.5, M12 x 1.75mm	#1 Bar Type	1"	12	M500 M12	9311963419534
<b>T&amp;D-1 Metric</b> Intermediate Taps 1" Button Dies	Packaging: Foam M3 x 0.5, M4 x 0.7, M5 x 0.8, M6 x 1, M8 x 1.25, M10 x 1.5, M12 x 1.75mm	#1 Bar Type	1"	16	M500 M16	9311963333410
<b>TD10 Metric</b> Taper Taps Bottoming Taps 1" Button Dies	M2 x 0.4, M2.5 x 0.45, M3 x 0.5, M3.5 x 0.6, M4 x 0.7, M4.5 x 0.75, M5 x 0.8, M6 x 1mm	#0 Bar Type	1"	26	M500 M26	9311963419558
<b>TD12 Metric</b> Taper Taps Bottoming Taps 1" Button Dies	M6 x 1, M8 x 1.25, M10 x 1.5, M12 x 1.75, M14 x 2*, M16 x 2*, M18 x 2.5*, M20 x 2.5mm*, M22 x 2.5*, M24 x 3*mm, Bonus Thread Pitch Gauge	#1 & #4 Bar Type	1" & 2"	35	M500 M35	9311963027371
<b>TD13 Metric</b> Taper Taps Bottoming Taps 1" Button Dies	M2 x 0.4, M2.5 x 0.45, M3 x 0.5, M3.5 x 0.6, M4 x 0.7, M4.5 x 0.75, M5 x 0.8, M6 x 1, M7 x 1, M8 x 1.25, M9 x 1.25, M10 x 1.5, M11 x 1.5, M12 x 1.75mm, Bonus Thread Pitch Gauge	#0 & #1 Bar Type	1"	46	M500 M46	9311963419565
<b>TD0 UNC</b> Intermediate Taps 1" Button Dies	1/4, 5/16, 3/8, 7/16, 1/2inch	#1 Bar Type	1"	12	M500 NC12	9311963419527
<b>TD5 UNC</b> Taper Taps Bottoming Taps 1" Button Dies	1/4, 5/16, 3/8, 7/16, 1/2, 5/8*, 3/4inch*, Bonus Thread Pitch Gauge	#3 Bar Type	1" & 2"	25	M500 NC25	9311963027388
<b>STD8 UNC</b> Taper Taps Bottoming Taps 1" Button Dies	1/4, 5/16, 3/8, 7/16, 1/2, 9/16*, 5/8*, 3/4*, 7/8*, 1inch*, Bonus Thread Pitch Gauge	#1 & #4 Bar Type	1" & 2"	35	M500 NC35	9311963036632
<b>STD8 UNF</b> Taper Taps Bottoming Taps 1" Button Dies	1/4, 5/16, 3/8, 7/16, 1/2, 9/16*, 5/8*, 3/4*, 7/8*, 1inch*, Bonus Thread Pitch Gauge	#1 & #4 Bar Type	1" & 2"	35	M500 NF35	9311963051260
<b>TD2A BSW</b> Intermediate Taps 1" Button Dies	1/8, 5/32, 3/16, 1/4, 5/16, 3/8inch, Bonus Thread Pitch Gauge	#1 Bar Type	1"	15	M500 W15	9311963419541
<b>STD8 BSW</b> Taper Taps Bottoming Taps 1" Button Dies	1/4, 5/16, 3/8, 7/16, 1/2, 9/16*, 5/8*, 3/4*, 7/8*, 1inch*, Bonus Thread Pitch Gauge	#1 & #4 Bar Type	1" & 2"	35	M500 W35	9311963036649

\*Button Dies for these sizes have 2 inch outer diameter



M500 MMF47



M500 NCF52



M500 WM52



M500 WNF52



M500 NFM33



M500 NFM52



M551 M18



M561 NC18



M564 NF18

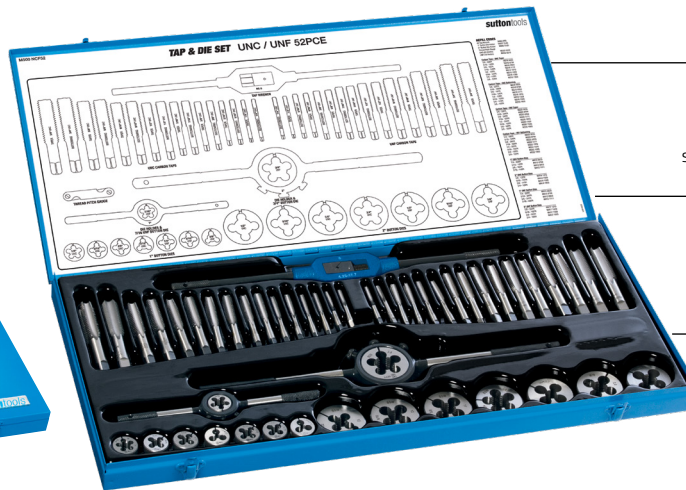
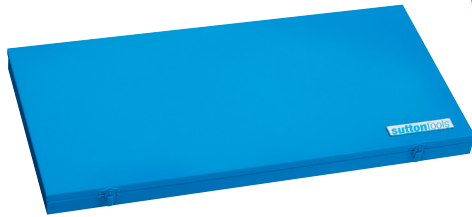
Section  
Index

## Threading Carbon, Tap & Die Sets

# suttontools

Available in a selection of modular set configurations, in both metric and imperial.

Tools are manufactured from carbon alloy steel which are suitable for general purpose/DIY use only. Not suitable for precision, safety or critical threads.



**Layout Chart**  
Quickly and easily identifies location of items

**Metal Case**  
Solid construction, ideal for storage and transportation of your tools

**Slim Line Design**  
Fits comfortably into tool chest, drawers and work bench

Discount Group: D0802

Set	Contents	Tap Wrench	Button Die Holders	Pieces	Item #	Barcode
<b>M500</b>						
<b>SCTD9 Metric Coarse/Fine</b> Taper Taps Bottoming Taps 1" Button Dies  Intermediate Taps	M6 x 1, M7 x 1, M8 x 1.25, M10 x 1.5, M12 x 1.75, MF8 x 1, MF10 x 1.25, MF12 x 1.5, M14 x 2*, M16 x 2*, M18 x 2.5*, MF14 x 1.5*, MF16 x 1.5*, MF18 x 1.5mm*, Bonus Thread Pitch Gauge M14 x 1.25mm	#3 Bar Type	1" & 2"	47	M500 MMF47	9311963027395
<b>SCTD1 UNC/UNF</b> Taper Taps Bottoming Taps 1" Button Dies	UNC & UNF 1/4, 5/16, 3/8, 7/16, 1/2*, 9/16*, 5/8*, 3/4mm*, Bonus Thread Pitch Gauge	#3 Bar Type	1" & 2"	52	M500 NCF52	9311963019123
<b>CTD1 BSW/Metric Coarse</b> Taper Taps Bottoming Taps 1" Button Dies	1/4, 5/16, 3/8, 7/16, 1/2*, 9/16*, 5/8*, 3/4* M6 x 1, M8 x 1.25, M10 x 1.5, M12 x 1.75, M14 x 2*, M16 x 2*, M18 x 2.5*, M20 x 2.5mm*, Bonus Thread Pitch Gauge	#3 Bar Type	1" & 2"	52	M500 WM52	9311963419572
<b>CTD4 BSW/UNF</b> Taper Taps Bottoming Taps 1" Button Dies	1/4, 5/16, 3/8, 7/16, 1/2*, 9/16*, 5/8*, 3/4inch*, Bonus Thread Pitch Gauge	#3 Bar Type	1" & 2"	52	M500 WNF52	9311963419589
<b>CTD10 UNF/Metric Coarse</b> Taper Taps Bottoming Taps 1" Button Dies	1/4, 5/16, 3/8, 7/16, 1/2, M6 x 1, M7 x 1, M8 x 1.25, M10, x 1.5, M12 x 1.75mm, Bonus Thread Pitch Gauge	#2 Bar Type	1"	33	M500 NFM33	9311963419596
<b>CTD11 UNF/Metric Coarse</b> Taper Taps Bottoming Taps 1" Button Dies	1/4, 5/16, 3/8, 7/16, 1/2, M6 x 1, M7 x 1, M8 x 1.25, M10, x 1.5, M12 x 1.75, 9/16*, 5/8*, 3/4*, M14 x 2*, M16 x 2*, M18 x 2.5mm*, Bonus Thread Pitch Gauge	#3 Bar Type	1" & 2"	52	M500 NFM52	9311963419602

\*Button Dies for these sizes have 2 inch outer diameter

## Threading HSS, Tap & Die Sets

Discount Group: D0204

Set	Contents	Tap Wrench	Button Die Holders	Pieces	Item #	Barcode
<b>Metric</b> Intermediate Taps 1" Button Dies	M3 x 0.5, M4 x 0.7, M5 x 0.8, M6 x 1.0, M8 x 1.25, M10 x 1.5, M12 x 1.75 Bonus Thread Pitch Gauge	#1.5 Bar Type	1"	17	M551 M18	9311963596662
<b>UNC</b> Intermediate Taps 1" Button Dies	#8, #10, 1/4, 5/16, 3/8, 7/16, 1/2 Bonus Thread Pitch Gauge	#1.5 Bar Type	1"	17	M561 NC18	9311963596679
<b>UNF</b> Intermediate Taps 1" Button Dies	#8, #10, 1/4, 5/16, 3/8, 7/16, 1/2 Bonus Thread Pitch Gauge	#1.5 Bar Type	1"	17	M564 NF18	9311963596686

# Taps Wrenches & Die Holders

## suttontools

T-Type – Useful for holding taps, reamers and other small tools to be turned by hand.

T-Type Precision – The 'Ratchet' style tap wrench offers additional functionality with its adjustable handle and two-way ratchet action.



**T-Bar**  
For increases leverage and control

**Ratchet Mechanism**  
Offers additional functionality and precision

**Reach**  
Designed to reach jobs inaccessible with bar pattern tap wrench

**Knurled Nut**  
Adjusts and tightens by turning

### Application

DIY  
Trade  
Automotive  
Plumbing  
Metalworking  
MRO

Discount Group: D0202

Size	mm	Range	inch	Item #	Carded / Blister / Vinyl Barcode	Item #	Box Barcode
<b>T-Type Tap Wrenches</b>				<b>M901</b>			
<b>M4</b>	M1.6 – M4	#0 – #8				M901 0400	9311963553702
<b>M6</b>	M3 – M6	1/8 – 1/4		M901 0635	93829618		
<b>M12</b>	M6 – M12	1/4 – 1/2		M901 1270	93829625		
<b>Set (M6 &amp; M12)</b>	M3 – M12	1/8 – 1/2				M901 0002	9311963553726
<b>Precision T-Type Ratchet Tap Wrenches</b>				<b>M903</b>			
<b>M6</b>	1/4	M3 – M6	1/8 – 1/4	M903 0635	9311963006826		
<b>M12</b>	1/2	M6 – M12	1/4 – 1/2	M903 1270	9311963006536		
<b>M12</b>	<b>Long Reach - 280mm</b>					M903 1200L	9311963553719
<b>Bar Type Tap Wrenches</b>				<b>M908</b>			
<b>#0</b>	M1–M8	1/16 – 5/16		M908 0108	9311963632940		
<b>#1</b>	M1–M10	1/16–3/8		M908 0110	9311963632957		
<b>#1.5</b>	M1–M12	1/16–1/2		M908 0112	9311963632964		
<b>#2</b>	M4–M12	5/32–1/2		M908 0412	9311963632971		
<b>#3</b>	M5–M20	7/32–3/4		M908 0520	9311963632988		
<b>#4</b>	M9–M27	3/8–1		M908 0927	9311963632995		
<b>#5</b>	M12–M33	1/2–1 1/4				M908 1233	9311963633008
<b>#6</b>	M18–M42	3/4–1 5/8				M908 1842	9311963633015
<b>Button Die Holders</b>				<b>M907</b>		<b>M906</b>	
<b>1"</b>				M907 2540	93829656		
<b>1-1/2"</b>						M906 3810	9311963005027
<b>2"</b>						M906 5180	9311963007892
<b>2-1/2" (D0204)</b>						M906 6350	9311963594675
<b>3" (D0204)</b>						M906 7620	9311963594682

### Bar Type Tap Wrench

Constructed to withstand the torque applied during the tapping operation



### Button Die Holders

Incorporates taper screws which allows the user to make minor adjustments to the button die, ensuring accurate thread size





# Threading Workshop Range



## Carbon Tap & Drill Sets

General purpose/maintenance applications only. For hand operation only up to 1-1/2 x diameter. Not suitable for precision, safety or critical threads.



267013103      267003103      267001030

## Carbon Dies

General purpose/maintenance applications only. For cutting male/external thread on studs. Not suitable for precision, safety or critical threads.



Application  
DIY

Discount Group: D0802

Size	Pitch	Drill Ø mm	Pieces	Item #	Barcode
<b>Carbon Tap &amp; Drill Set</b>					
M3	0.5	2.5		267001030	9311744445479
M4	0.7	3.3		267001040	9311744445486
M5	0.8	4.2		267001050	9311744445493
M6	1	5.0		267001060	9311744445509
M8	1.25	6.8		267001080	9311744445516
M10	1.5	8.5		267001100	9311744445523
M12	1.75	10.2		267001120	9311744445530
<b>Carbon Die Set</b>					
Metric	M5 x 0.8, M6 x 1.0, M8 x 1.25		3	267013103	9311744445394
Imperial	5/16", 1/4", 3/16"		3	267013203	9311744445387
<b>Carbon Tap Set</b>					
Metric	M5 x 0.8, M6 x 1.0, M8 x 1.25		3	267003103	9311744445417
Imperial	5/16", 1/4", 3/16"		3	267003203	9311744445400

## Tap Wrench T-Bar

Useful for holding taps, reamers and other small tools to be turned by hand.

## Tap Wrench T-Bar Ratchet

Two-way ratchet action offers additional functionality (forward and reverse tapping) with its adjustable handle.



267040106    267040112    267040210    267041325    267040312

## Tap Wrench and Die Holder

Designed to suit P&N range of hand taps and dies. It has long handles for better balance and control and is constructed to withstand the torque applied during the tapping operation. Bar-Type tap wrenches and die holders are the recommended choice for producing quality threads.



Discount Group: D0802

Description	Range	Item #	Barcode
Wrench T Bar 1/4"	M3 - M6	267040106	9311744445424
Wrench T Bar 1/2"	M6 - M12	267040112	9311744445431
Wrench Ratchet	M3 - M10	267040210	9311744445448
Die Holder	1"	267041325	9311744445455
Tap Wrench	M3 - M12	267040312	9311744445462

## Threading DIY Range



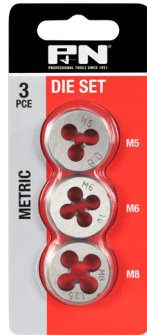
T-Type – Useful for holding taps, reamers and other small tools to be turned by hand.



166044652



166044656



166044654



166044658



166044650

Application

DIY

Discount Group: D0802

Description	Size	Pieces	Item #	Barcode
<b>Hand Taps</b>				
Tap Set – Metric	Intermediate Taps: M5 x 0.8, M6 x 1.0, M8 x 1.25	3	166044652	9311744446520
Tap Set – Imperial	Intermediate Taps: 5/16, 1/4, 3/16"	3	166044653	9311744446537
Tap Wrench 1/4"	Suitable for M3 – M6	1	166044656	9311744446568
Tap Wrench 1/2"	Suitable for M6 – M12	1	166044657	9311744446575
<b>Button Dies</b>				
1" Button Die – Metric	M5 x 0.8, M6 x 1.0, M8 x 1.25	3	166044654	9311744446544
1" Button Die – Imperial	UNC 3/16", 1/4", 5/16"	3	166044655	9311744446551
Button Die Holder	1" Die Holder	1	166044658	9311744446582
<b>Tap &amp; Die Sets</b>				
<b>Tap &amp; Die Set – Metric</b>				
Taps – Intermediate & 1" Button Dies:	M2 x 0.4, M2.5 x 0.45, M3 x 0.5, M3.5 x 0.6, M4 x 0.7, M4.5 x 0.75, M5 x 0.8, M6 x 1.0, M7 x 0.75, M7 x 1.0, M8 x 1.0, M8 x 1.25, M10 x 1.25, M10 x 1.5, M12 x 1.5, M12 x 1.75, 1/8 BSPT 28	40	166044650	9311744446506
Tap Wrenches:	T & Bar Type Tap Wrench			
Button Die Holder:	1" Die Holder			
Bonus:	Screw pitch gauge & Screwdriver			
<b>Tap &amp; Die Set – Imperial</b>				
UNC Taps – Intermediate & 1" Button Dies:	4 - 40, 6 - 32, 8 - 32, 10 - 24, 12 - 24, 1/4 - 20, 5/16 - 18, 3/8 - 16, 7/16 - 14, 1/2 - 13	40	166044651	9311744446513
UNF Taps – Intermediate & 1" Button Dies:	10 - 32, 1/4 - 28, 5/16 - 24, 3/8 - 24, 7/16 - 20, 1/2 - 20			
NPT Taps – Intermediate & 1" Button Dies:	1/8 - 27			
Tap Wrenches:	T & Bar Type Tap Wrench			
Button Die Holder:	1" Die Holder			
Bonus:	Screw pitch gauge & Screwdriver			

## Threading Screw Extractors



For removing broken screws and bolts.



Discount Group: D0302



Description	Screw / Bolt Size	Pieces	Item #	Barcode
5 Pce Screw Extractor Set	3 – 6, 6 – 8, 8 – 11, 11 – 14, 14 – 18mm bolts	5	166044668	9311744446681

# Threading Thread Gauges



For measuring the pitch of external and internal threads.



Made with precision milled teeth

Clamping screw for holding the blades

Discount Group: D0202

Description	Size	Blades	Item #	Barcode
<b>Metric (60°) &amp; Whitworth (55°)</b>	0.25 – 6.0mm & 4 – 62 TPI	52	268MW0052	9311744436026
<b>Metric (60°) &amp; Pipe (BSP 55°)</b>	0.25 – 6.0mm & 8 – 28 TPI	30	268MG0030	9311744436019
<b>UNC (60°)</b>	4 – 64 TPI	22	268UNC022	9311744436033
<b>UNF (60°)</b>	12 – 80 TPI	16	268UNF016	9311744436040

## Threading Pipe Threading System

# suttontools

### Draper Ratchet Action Pipe Threading Kit

The Draper pipe threading system is suitable for use on both galvanised and black gas pipes. The system utilises cast iron die holders which also act as guides during the threading process.

They are used with either metric conduit dies or imperial BSPT (British Standard Pipe Taper) thread chasers. Completing the system is a rugged ratcheting handle which enables use in confined spaces.



M455 0001



M455 0002

Discount Group: D0202

Sets	Contents	Pieces	Item #	Barcode
<b>Metric Kit</b>	Die sizes: 16 x 1.5mm, 20 x 1.5mm, 25 x 1.5mm, 32 x 1.5mm + Operating Handle & Ratchet Head	6	M455 0001	9311963630410
<b>Imperial Kit</b>	Chasers (BSPT): 1/2 x 14, 3/4 x 14, 1 x 11, 1-1/4 x 11 + Operating Handle & Ratchet Head	6	M455 0002	9311963630427

## Threading Pipe Threading System - Replacement Parts



Discount Group: D0202

Size	Pitch	Length mm	Item #	Barcode
<b>Metric Conduit Dies</b>				
<b>M16</b>	1.5		M457 1600	9311963635569
<b>M20</b>	1.5		M457 2000	9311963635576
<b>M25</b>	1.5		M457 2500	9311963635583
<b>M32</b>	1.5		M457 3200	9311963635590
<b>Metric Die Holders / Guides</b>				
<b>M16</b>	-		M459 1600	9311963635620
<b>M20</b>	-		M459 2000	9311963635637
<b>M25</b>	-		M459 2500	9311963635644
<b>M32</b>	-		M459 3200	9311963635651
<b>Imperial BSPT Thread Chasers</b>				
<b>1/2</b>	14		M456 1270	9311963635521
<b>3/4</b>	14		M456 1902	9311963635538
<b>1</b>	11		M456 2540	9311963635545
<b>1-1/4</b>	11		M456 3175	9311963635552
<b>Imperial BSPT Thread Chasers with Holders / Guides</b>				
<b>1/2</b>	14		M458 1270	9311963636528
<b>3/4</b>	14		M458 1902	9311963636506
<b>1</b>	11		M458 2540	9311963636513
<b>1-1/4</b>	11		M458 3175	9311963636535
<b>Ratcheting Handle / Holder</b>		565	M460 0001	9311963636568

# Threading Screw Extractors

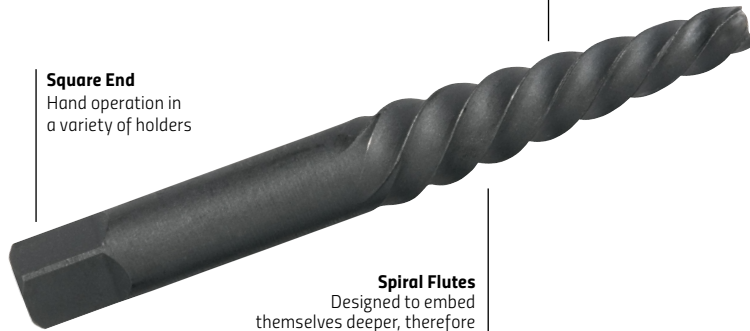
## suttontools

Designed to remove broken studs, bolts, socket screws and fittings. Made from chrome steel.

**Aggressive Left Hand Spiral**  
For extra gripping power



**Square End**  
Hand operation in a variety of holders



**Spiral Flutes**  
Designed to embed themselves deeper, therefore as fastener resistance increases the extractor's grip increases

**Application**  
DIY  
Trade  
Automotive  
Plumbing  
Machine Shop  
MRO

Discount Group: D0302

Size	Drill Size	Screw / Bolt Size Range Metric	Imperial	Pieces	Order Qty	Item #	Barcode
<b>Carded</b>							<b>M600</b>
# 1	2.0	M4 – M5	5/32 – 3/16	1	1	M600 0001	93829663
# 2	3.0	M6 – M8	7/32 – 1/4	1	1	M600 0002	93829670
# 3	4.0	M8 – M10	5/16 – 3/8	1	1	M600 0003	93829687
# 4	5.5	M10 – M14	3/8 – 1/2	1	1	M600 0004	93829694
# 5	7.5	M14 – M20	9/16 – 3/4	1	1	M600 0005	93829700
<b>Telepack</b>							<b>M601</b>
# 1	2.0	M4 – M5	5/32 – 3/16	1	10	M601 0001	9311963005737
# 2	3.0	M6 – M8	7/32 – 1/4	1	10	M601 0002	9311963008226
# 3	4.0	M8 – M10	5/16 – 3/8	1	5	M601 0003	9311963007038
# 4	5.5	M10 – M14	3/8 – 1/2	1	5	M601 0004	9311963008233
# 5	7.5	M14 – M20	9/16 – 3/4	1	5	M601 0005	9311963009148
# 6	10.5	M20 – M27	7/8 – 1	1	1	M601 0006	9311963072227
# 7	13.5	M27 – M36	1 – 1-1/2	1	1	M601 0007	9311963072234
# 8	20.0	M36 – M48	1-3/8 – 1-3/4	1	1	M601 0008	9311963072241
# 9	27.0	M48 – M56	1-3/4 – 2-1/8	1	1	M601 0009	9311963072258
<b>Screw Extractor &amp; Drill Sets</b>							<b>M602</b>
# 1	2.0	M4 – M5	5/32 – 3/16	2	1	M602 0001	9311963344348
# 2	3.0	M6 – M8	7/32 – 1/4	2	1	M602 0002	9311963344355
# 3	4.0	M8 – M10	5/16 – 3/8	2	1	M602 0003	9311963344362
# 4	5.5	M10 – M14	3/8 – 1/2	2	1	M602 0004	9311963344379
# 5	7.5	M14 – M20	9/16 – 3/4	2	1	M602 0005	9311963344386
<b>Screw Extractor Sets</b>							<b>M603</b>
S15	# 1 – # 5 Screw Extractor			5	1	M603 S15	9311963003191
S15A	# 1 – # 6 Screw Extractor			6	1	M603 S15A	9311963004105
S20	# 1 – # 5 Screw Extractor Combination Drill Set Includes jobber drills: 2.0, 3.0, 4.0, 5.5, 7.5mm			10	1	M603 S20	9311963075747
S20L	# 1 – # 5 Screw Extractor Combination Drill Set Includes left hand cobalt jobber drills: 2.0, 3.0, 4.0, 5.5, 7.5mm			10	1	M603 S20L	9311963600956
<b>Left Hand Cobalt Jobber Drills (Discount group A0404) See Drills Section</b>							<b>D202</b>



M602 0001



M603 S15



D202 0750

# Threading Bolt Extractor Set

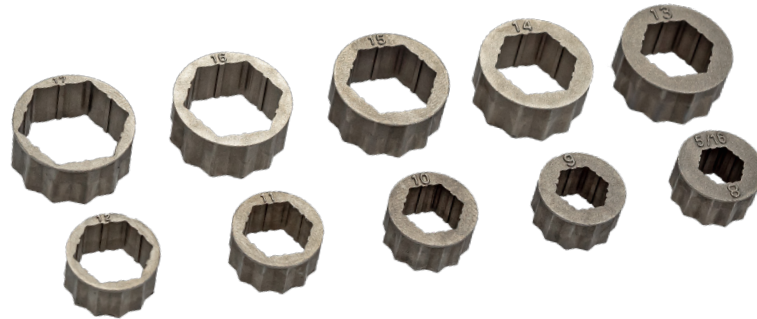
**suttontools**

Designed to remove bolts with damaged and worn heads.  
 8, 9, 10, 11 and 12mm inserts: suits 14mm wrench\*  
 13, 14, 15, 16 and 17mm inserts: suits 19mm wrench\*

**Features**

- Patented extractor inserts for wrenches and sockets.
- Insert features a flange to avoid falling through. Flexible for all types of wrenches. Inserts for 14 and 19mm wrenches.
- Grips all the way around a bolt and allows up to 85% rounded off bolts to be turned.
- Securely grips many different types of bolts, eg; 6 point, 12 point, hex, spline.

\*Bolt head size, wrenches not included



**Application**

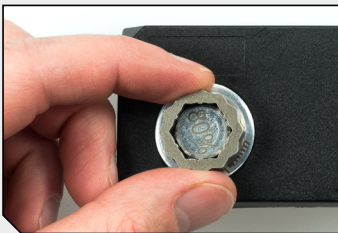
- DIY
- Trade
- Automotive
- Plumbing
- Machine Shop
- MRO

Discount Group: D0302

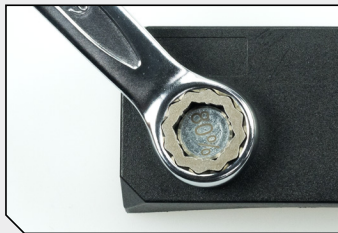
Description	Pieces	Item #	Barcode
			<b>M604</b>
<b>Bolt Extractor Insert Set</b> 8-12mm Inserts: Suits 14mm wrench 13-17mm inserts: suits 19mm wrench	10	M604 0817	9311963627595

**How to use:**

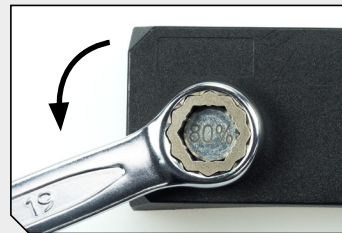
1 Select a fitting insert, and place it over the worn bolt



2 Place matching wrench over the insert



3 Turn worn bolt



Section Index



