



# TECHNICAL

## Sampson™ Washer Dimensions

PAGE 1 of 2

### Dimensions

High Tensile Sampson™ Washers

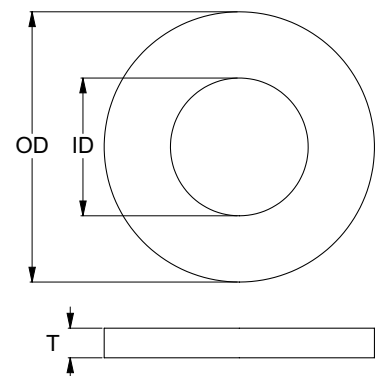
#### METRIC SAMPSON™ WASHERS 38-45HRC HOBSON SPEC / PLAIN FINISH

Part	Size	OD (mm)	ID (mm)	THK (mm)	Pack
WR43PM08	M8	18.0	8.5	2.3	200
WR43PM10	M10	22.0	10.5	3.0	100
WR43PM12	M12	26.0	13.0	3.2	100
WR43PM16	M16	32.0	17.0	4.5	100
WR43PM20	M20	40.0	21.0	4.5	100
WR43PM22	M22	44.0	23.0	6.0	100
WR43PM24	M24	48.0	25.0	6.0	100
WR43PM27	M27	56.0	28.0	8.0	100
WR43PM30	M30	60.0	32.0	8.0	100
WR43PM36	M36	72.0	37.5	8.0	25
WR43PM42	M42	85.0	43.5	8.0	25
WR43PM48	M48	98.0	49.5	8.0	25
WR43PM52	M52	100.0	53.2	10.0	20
WR43PM56	M56	105.0	62.0	10.0	10
WR43PM64	M64	115.0	70.0	10.0	5



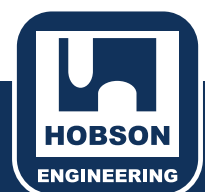
#### METRIC SAMPSON™ WASHERS 38-45HRC ASTM F436M TYPE 1 / ZINC PLATED

Part	Size	OD (mm)	ID (mm)	THK (mm)	Pack
WR43ZM06	M6	13.0	6.7	1.5	200
WR43ZM08	M8	18.0	8.9	2.0	200
WR43ZM10	M10	20.0	10.8	2.0	200
WR43ZM12	M12	26.0	14.0	4.0	200
WR43ZM14	M14	30.0	16.0	4.0	100
WR43ZM16	M16	33.0	18.0	4.0	100
WR43ZM20	M20	41.0	22.0	4.0	50
WR43ZM24	M24	50.0	26.0	4.0	50
WR43ZM30	M30	60.0	33.0	4.0	10
WR43ZM36	M36	72.0	39.0	4.0	10



Bolt Tension | Anti-Vibration | Product Reliability | Traceability

[hobson.com.au](http://hobson.com.au) **QUALITY FASTENERS SINCE 1935**



1810201D



# Dimensions

High Tensile Sampson™ Washers

### ASTM F436 SAMPSON™ WASHERS 38-45HRC ASTM F436 / ZINC YELLOW PASSIVATE

Part	Size	OD (mm)	ID (mm)	THK (mm)	Pack
WR43Y025	1/4"	15.88	7.14	1.7	200
WR43Y031	5/16"	17.48	8.74	1.7	200
WR43Y037	3/8"	20.65	10.31	1.7	200
WR43Y043	7/16"	23.42	11.91	1.7	200
WR43Y050	1/2"	27.00	13.49	3.5	200
WR43Y056	9/16"	29.50	15.83	3.5	100
WR43Y062	5/8"	33.35	17.48	3.8	100
WR43Y075	3/4"	37.31	20.65	4.0	50
WR43Y087	7/8"	44.45	23.83	4.0	50
WR43Y100	1"	50.80	28.57	4.0	50
WR43Y112	1 1/8"	57.15	31.75	4.0	20
WR43Y125	1 1/4"	63.50	34.92	4.0	10
WR43Y137	1 3/8"	69.85	38.10	4.0	10
WR43Y150	1 1/2"	76.20	41.27	5.8	10
WR43Y175	1 3/4"	85.72	47.62	5.8	10
WR43Y200	2"	95.25	53.98	7.4	10
WR43Y225	2 1/4"	101.60	60.33	7.4	10
WR43Y250	2 1/2"	114.30	66.67	7.4	10
WR43Y300	3"	139.70	79.38	7.4	10

