

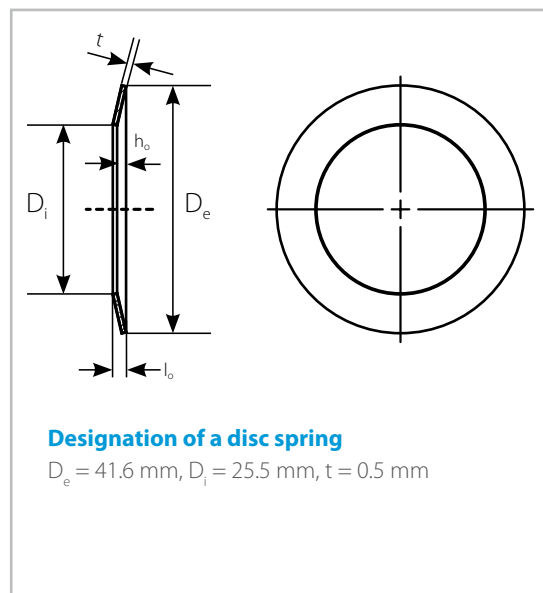
Original SCHNORR® bearing preload springs type "K", non-slotted

How to order

When ordering "K" disc springs to preload the outer ring of the ball bearing please quote the ball bearing size or the article number. In all other cases, please give application details.

Notes on the table

The "K" disc spring sizes listed in the following tables are our standard production and comply with ball bearing series EL, R, 62 and 63. The load and deflections given are at spring deflection of 75 % of the free height h_o . This is the recommended preload for installation of the "K" disc springs.



Original SCHNORR® bearing preload springs type "K", non-slotted dia. 9.8 - 119 mm

| Article number/ Order reference | Ordering dimensions | | | | | | Spring travel s and force F | | Weight per 1000 pieces [kg] | Ball bearing type | | Ball bearing | | |
|------------------------------------|---------------------|---------------|-----------|---------------|---------------|---------|-----------------------------|----------|--------------------------------------|--------------------|-----|-------------------------|-------------------------|--|
| | D_e [mm] | D_i [mm] | t [mm] | l_o [mm] | h_o [mm] | h_o/t | s [mm] | F [N] | | | | External dia [mm] | Internal dia [mm] | |
| 241200 | 9.80 | 6.20 | 0.20 | 0.40 | 0.20 | 1.00 | 0.15 | 23 | 0.07 | 623 (EL3) | 10 | 3 | | |
| 241400 | 12.80 | 7.20 | 0.25 | 0.50 | 0.25 | 1.00 | 0.19 | 29 | 0.17 | 624 (EL4) | 13 | 4 | | |
| 241600 | 15.80 | 8.20 | 0.25 | 0.55 | 0.30 | 1.20 | 0.23 | 23 | 0.28 | 625 (EL5) 634 (R4) | 16 | 5 | 4 | |
| 241700 | 18.80 | 9.20 | 0.30 | 0.65 | 0.35 | 1.17 | 0.26 | 31 | 0.49 | 626 (EL6) 635 (R5) | 16 | 6 | 5 | |
| 241800 | 18.80 | 10.20 | 0.35 | 0.70 | 0.35 | 1.00 | 0.26 | 51 | 0.53 | 607 (EL7) | 19 | 7 | | |
| 241900 | 21.80 | 12.30 | 0.35 | 0.75 | 0.40 | 1.14 | 0.30 | 46 | 0.68 | 608 (EL8) 627 (R7) | 22 | 8 | 7 | |
| 242100 | 23.70 | 14.30 | 0.40 | 0.90 | 0.50 | 1.25 | 0.38 | 81 | 0.86 | 609 (EL9) | 24 | 9 | | |
| 242200 | 25.70 | 14.30 | 0.40 | 0.90 | 0.50 | 1.25 | 0.38 | 63 | 1.11 | 6000 629 (R9) | 26 | 10 | 9 | |
| 242300 | 27.70 | 17.30 | 0.40 | 1.00 | 0.60 | 1.50 | 0.45 | 80 | 1.13 | 6001 | 28 | 12 | | |
| 242500 | 29.70 | 17.40 | 0.40 | 1.10 | 0.70 | 1.75 | 0.53 | 83 | 1.41 | 6200 | 30 | 10 | | |
| 242600 | 31.70 | 20.40 | 0.40 | 1.10 | 0.70 | 1.75 | 0.53 | 81 | 1.42 | 6002 6201 | 32 | 15 | 12 | |
| 242800 | 34.60 | 20.40 | 0.40 | 1.10 | 0.70 | 1.75 | 0.53 | 61 | 1.89 | 6300 | 35 | 10 | | |
| 242900 | 34.60 | 22.40 | 0.50 | 1.20 | 0.70 | 1.40 | 0.53 | 118 | 2.10 | 6003 6202 | 35 | 17 | 15 | |
| 243000 | 36.60 | 20.40 | 0.50 | 1.30 | 0.80 | 1.60 | 0.60 | 110 | 2.81 | 6301 | 37 | 12 | | |
| 243100 | 39.60 | 25.50 | 0.50 | 1.30 | 0.80 | 1.60 | 0.60 | 110 | 2.78 | 6203 | 40 | 17 | | |
| 243200 | 41.60 | 25.50 | 0.50 | 1.40 | 0.90 | 1.80 | 0.68 | 113 | 3.28 | 6004 6302 | 42 | 20 | 15 | |
| 243300 | 46.50 | 30.50 | 0.60 | 1.50 | 0.90 | 1.50 | 0.68 | 153 | 4.49 | 6005 6204 6303 | 47 | 25 | 20 | |
| 243400 | 51.50 | 35.50 | 0.60 | 1.50 | 0.90 | 1.50 | 0.68 | 135 | 5.06 | 6205 6304 | 52 | 25 | | |
| 243500 | 54.50 | 40.50 | 0.60 | 1.50 | 0.90 | 1.50 | 0.68 | 141 | 4.82 | 6006 | 55 | 30 | | |
| 243600 | 61.50 | 40.50 | 0.70 | 1.80 | 1.10 | 1.57 | 0.83 | 176 | 9.12 | 6007 6206 6305 | 62 | 35 | 30 | |
| 243700 | 67.50 | 50.50 | 0.70 | 1.70 | 1.00 | 1.43 | 0.75 | 161 | 8.51 | 6008 | 68 | 40 | | |
| 243800 | 71.50 | 45.50 | 0.70 | 2.10 | 1.40 | 2.00 | 1.05 | 185 | 12.99 | 6306 | 72 | 30 | | |
| 243900 | 71.50 | 50.50 | 0.70 | 2.10 | 1.40 | 2.00 | 1.05 | 218 | 10.90 | 6207 | 72 | 35 | | |
| 244000 | 74.50 | 55.50 | 0.80 | 1.90 | 1.10 | 1.38 | 0.83 | 211 | 11.99 | 6009 | 75 | 45 | | |
| 244100 | 79.50 | 50.50 | 0.80 | 2.30 | 1.50 | 1.88 | 1.13 | 228 | 18.40 | 6307 | 80 | 35 | | |
| 244200 | 79.50 | 55.50 | 0.80 | 2.30 | 1.50 | 1.88 | 1.13 | 263 | 15.78 | 6010 6208 | 80 | 50 | 40 | |
| 244300 | 84.50 | 60.50 | 0.90 | 2.50 | 1.60 | 1.78 | 1.20 | 359 | 19.05 | 6209 | 85 | 45 | | |
| 244400 | 89.50 | 60.50 | 0.90 | 2.50 | 1.60 | 1.78 | 1.20 | 288 | 23.86 | 6308 | 90 | 40 | | |
| 244500 | 89.50 | 65.50 | 0.90 | 2.50 | 1.60 | 1.78 | 1.20 | 335 | 20.36 | 6011 6210 | 90 | 55 | 50 | |
| 244600 | 94.50 | 75.50 | 1.00 | 2.20 | 1.20 | 1.20 | 0.90 | 325 | 19.57 | 6012 | 95 | 60 | | |
| 244700 | 99.00 | 65.50 | 1.00 | 2.60 | 1.60 | 1.60 | 1.20 | 292 | 33.64 | 6309 | 100 | 45 | | |
| 244800 | 99.00 | 70.50 | 1.00 | 2.60 | 1.60 | 1.60 | 1.20 | 332 | 29.44 | 6013 6211 | 100 | 65 | 55 | |
| 244900 | 109.00 | 70.50 | 1.25 | 2.70 | 1.45 | 1.16 | 1.09 | 357 | 52.80 | 6310 | 110 | 50 | | |
| 245000 | 109.00 | 75.50 | 1.25 | 2.70 | 1.45 | 1.16 | 1.09 | 398 | 47.17 | 6014 6212 | 110 | 70 | 60 | |
| 245100 | 114.00 | 90.50 | 1.25 | 2.45 | 1.20 | 0.96 | 0.90 | 398 | 36.49 | 6015 | 115 | 75 | | |
| 245200 | 119.00 | 75.50 | 1.25 | 2.80 | 1.55 | 1.24 | 1.16 | 320 | 64.71 | 6311 | 120 | 55 | | |

Original SCHNORR® bearing preload springs type "K", non-slotted

dia. 119 - 358 mm

| Article number/ Order reference | Ordering dimensions | | | | | | Spring travel s and force F | | Weight per 1000 pieces [kg] | Ball bearing type | | | Ball bearing | | | |
|------------------------------------|------------------------|------------------------|-----------|------------------------|------------------------|-------------------|-----------------------------|----------|--------------------------------------|-------------------------|------|------|-------------------------|-----|-----|-----|
| | D _e [mm] | D _i [mm] | t [mm] | l _o [mm] | h _o [mm] | h _o /t | at s = 0.75 h _o | | | External dia [mm] | | | Internal dia [mm] | | | |
| | | | | | | | s [mm] | F [N] | | | | | | | | |
| 245 300 | 119.00 | 85.50 | 1.25 | 2.80 | 1.55 | 1.24 | 1.16 | 393 | 52.28 | | 6213 | 120 | | 65 | | |
| 245 400 | 124.00 | 90.50 | 1.25 | 3.00 | 1.75 | 1.40 | 1.31 | 445 | 54.75 | 6016 | 6214 | 125 | 80 | 70 | | |
| 245 500 | 129.00 | 85.50 | 1.25 | 3.20 | 1.95 | 1.56 | 1.46 | 405 | 71.28 | | | 6312 | 130 | | 60 | |
| 245 600 | 129.00 | 95.50 | 1.25 | 3.20 | 1.95 | 1.56 | 1.46 | 500 | 57.31 | 6017 | 6215 | | 130 | 85 | 75 | |
| 245 700 | 139.00 | 90.50 | 1.25 | 3.25 | 2.00 | 1.60 | 1.50 | 354 | 85.11 | | | 6313 | 140 | | 65 | |
| 245 800 | 139.00 | 101.00 | 1.25 | 3.25 | 2.00 | 1.60 | 1.50 | 429 | 69.58 | 6018 | 6216 | | 140 | 90 | 80 | |
| 245 900 | 149.00 | 95.50 | 1.50 | 3.20 | 1.70 | 1.13 | 1.28 | 379 | 120.10 | | | 6314 | 150 | | 70 | |
| 246 000 | 149.00 | 106.00 | 1.50 | 3.20 | 1.70 | 1.13 | 1.28 | 450 | 100.50 | 6020 | 6217 | | 150 | 100 | 85 | |
| 246 100 | 159.00 | 101.00 | 1.50 | 3.50 | 2.00 | 1.33 | 1.50 | 412 | 138.50 | | | 6315 | 160 | | 75 | |
| 246 200 | 159.00 | 111.00 | 1.50 | 3.50 | 2.00 | 1.33 | 1.50 | 477 | 118.90 | 6021 | 6218 | | 160 | 105 | 90 | |
| 246 300 | 169.00 | 111.00 | 1.50 | 3.80 | 2.30 | 1.53 | 1.73 | 470 | 149.20 | | | 6316 | 170 | | 80 | |
| 246 400 | 169.00 | 121.00 | 1.50 | 3.80 | 2.30 | 1.53 | 1.73 | 546 | 127.70 | 6022 | 6219 | | 170 | 110 | 95 | |
| 246 500 | 179.00 | 121.00 | 2.00 | 4.20 | 2.20 | 1.10 | 1.65 | 864 | 213.10 | | | 6317 | 180 | | 95 | |
| 246 600 | 179.00 | 126.00 | 2.00 | 4.20 | 2.20 | 1.10 | 1.65 | 928 | 197.80 | 6024 | 6220 | | 180 | 120 | 100 | |
| 246 700 | 189.00 | 121.00 | 2.00 | 4.30 | 2.30 | 1.15 | 1.73 | 759 | 258.30 | | | 6318 | 190 | | 90 | |
| 246 800 | 189.00 | 131.00 | 2.00 | 4.30 | 2.30 | 1.15 | 1.73 | 858 | 227.10 | | 6221 | | 190 | | 105 | |
| 246 900 | 198.00 | 131.00 | 2.00 | 4.50 | 2.50 | 1.25 | 1.88 | 812 | 270.00 | | | 6319 | 200 | | 95 | |
| 247 000 | 198.00 | 141.00 | 2.00 | 4.50 | 2.50 | 1.25 | 1.88 | 923 | 236.40 | 6026 | 6222 | | 200 | 130 | 110 | |
| 247 100 | 213.00 | 151.00 | 2.25 | 4.50 | 2.25 | 1.00 | 1.69 | 941 | 310.90 | | 6224 | 6320 | 215 | | 120 | 100 |
| 247 200 | 223.00 | 161.00 | 2.25 | 4.60 | 2.35 | 1.04 | 1.76 | 942 | 328.00 | 6030 | | 6321 | 225 | 150 | | 105 |
| 247 300 | 228.00 | 161.00 | 2.25 | 4.95 | 2.70 | 1.20 | 2.03 | 1036 | 359.20 | | 6226 | | 230 | | 130 | |
| 247 400 | 238.00 | 161.00 | 2.25 | 5.25 | 3.00 | 1.33 | 2.25 | 1021 | 423.80 | 6032 | | 6322 | 240 | 160 | | 110 |
| 247 500 | 248.00 | 171.00 | 2.50 | 5.00 | 2.50 | 1.00 | 1.88 | 1005 | 494.50 | | 6228 | | 250 | | 140 | |
| 247 600 | 258.00 | 171.00 | 2.50 | 5.50 | 3.00 | 1.20 | 2.25 | 1106 | 572.20 | 6034 | | 6324 | 260 | 170 | | 120 |
| 247 700 | 268.00 | 181.00 | 2.50 | 5.70 | 3.20 | 1.28 | 2.40 | 1155 | 598.70 | | 6230 | | 270 | | 150 | |
| 247 800 | 278.00 | 181.00 | 2.50 | 6.00 | 3.50 | 1.40 | 2.63 | 1155 | 682.70 | 6036 | | 6326 | 280 | 180 | | 130 |
| 247 900 | 288.00 | 191.00 | 2.75 | 5.75 | 3.00 | 1.09 | 2.25 | 1145 | 783.70 | 6038 | 6232 | | 290 | 190 | 160 | |
| 248 000 | 298.00 | 191.00 | 2.75 | 6.35 | 3.60 | 1.31 | 2.70 | 1307 | 883.00 | | | 6328 | 300 | | | 140 |
| 248 100 | 308.00 | 202.00 | 3.00 | 6.10 | 3.10 | 1.03 | 2.33 | 1300 | 995.20 | 6040 | 6234 | | 310 | 200 | 170 | |
| 248 200 | 318.00 | 212.00 | 3.00 | 6.20 | 3.20 | 1.07 | 2.40 | 1302 | 1034.00 | | 6236 | 6330 | 320 | | 180 | 150 |
| 248 300 | 338.00 | 232.00 | 3.00 | 6.60 | 3.60 | 1.20 | 2.70 | 1415 | 1112.00 | 6044 | 6238 | 6332 | 340 | 220 | 190 | 160 |
| 248 400 | 358.00 | 242.00 | 3.00 | 7.00 | 4.00 | 1.33 | 3.00 | 1424 | 1281.00 | 6048 | 6240 | 6334 | 360 | 240 | 200 | 170 |