




PRODUCT DATA

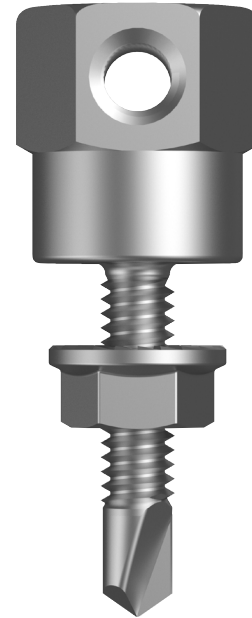
Self Drilling Right Angle Threaded Rod Hanger - Metal

Right Angle Hangers are a one-piece, self drilling fastening system suitable for installation into steel substrates. Ideal for the suspension of threaded rod.

Applications	
Suspension of threaded rod for:	
<ul style="list-style-type: none"> • Pipe hanging • Fire protection • Electrical conduit and cable-tray 	

Material	 HEC Carbon Steel
-----------------	----------------------------------------------------------------------------------------------------

Finish	 Zinc Plate (RoHS Compliant)
---------------	-------------------------------------------------------------------------------------------------------------------



Pullout Values				
Plate	Metal Plate Thickness	¹ Mean Loads	² Characteristics Load	³ Working Loads
	(mm)	(N)	(N)	(N)
G450	1.0	2350	2250	900
G450	1.5	5150	4550	1800
G450	2.0	7250	6650	2650
G450	2.5	9450	8200	3300
HRS	8.0	22600	21000	8400

Mechanical Properties				
Torsional Strength	¹ Mean Tensile Strength	¹ Mean Shear Strength	² Characteristic Tensile Strength	² Characteristic Shear Strength
(Nm)	(N)	(N)	(N)	(N)
17.6	22600	13550	21000	12600

Note: 1000N = 1kN

¹ Mean Load/Strength is the average ultimate strength of samples tested.

² Characteristic Load/Strength: 95% of these screws are expected to have a strength greater than the loads shown.

³ Working Load is the governing minimum allowable load obtained by comparing relevant concrete and steel working loads. Factor of Safety (FOS=2.5 for steel, FOS=2.5 for timber and FOS=3.0 for concrete) are already included.

All values are obtained under laboratory conditions using Hobson product. Safety factors should be considered for design purposes. Actual pull out loads may differ depending on certain properties of the base material



Disclaimer: While every reasonable effort has been made to ensure that this document is correct at the time of printing, Hobson Engineering®, its agencies and employees, disclaim any and all liability to any person in respect of anything or the consequences of anything done or omitted to be done in reliance upon the whole or any part of this document.

Bolt Tension | Anti-Vibration | Product Reliability | Traceability

hobson.com.au **QUALITY FASTENERS SINCE 1935**

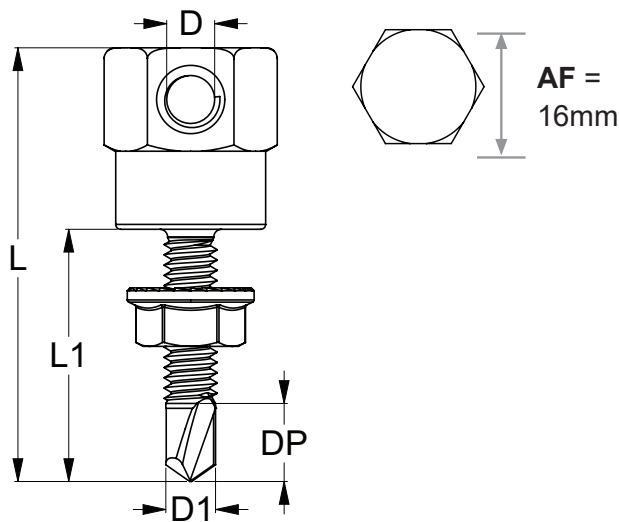




PRODUCT DATA

Self Drilling Right Angle Threaded Rod Hanger - Metal

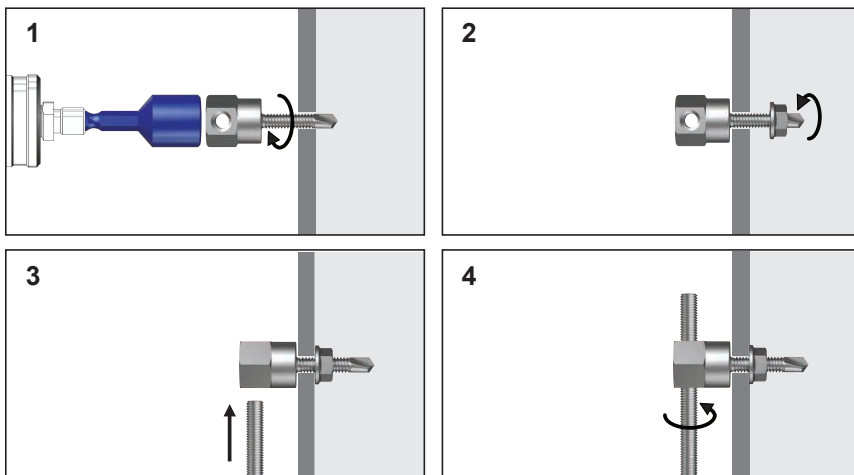
Part	QFind	Rod Size Ø	Drill Point	Drill Point Length	Screw Thread	Overall Length	Length	AF	Pack
		D	D1 (mm)	DP (mm)	G - TPI	L (mm)	L1 (mm)	(mm)	Qty
MVMMSZSM06025	MVM104	M6	5	9	14g - 20	46	25	16	100
MVMMSZSM08025	MVM105	M8							
MVMMSZSM10025	MVM106	M10							



Best installed with cordless impact drivers

Right Angle } **Metal**

Installation



Notes

- Recommended thickness of steel 1.0 - 3.0mm.
- Nuts to suit are provided with the hanger to lock into place once it has been installed.
- The supplied backing nut should be used to ensure secure installation.

CONXTRUCT®

Disclaimer: While every reasonable effort has been made to ensure that this document is correct at the time of printing, Hobson Engineering®, its agencies and employees, disclaim any and all liability to any person in respect of anything or the consequences of anything done or omitted to be done in reliance upon the whole or any part of this document.

Bolt Tension | Anti-Vibration | Product Reliability | Traceability

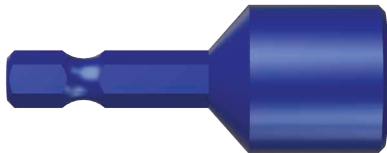
hobson.com.au **QUALITY FASTENERS SINCE 1935**



PRODUCT DATA

Self Drilling Right Angle Threaded Rod Hanger - Metal

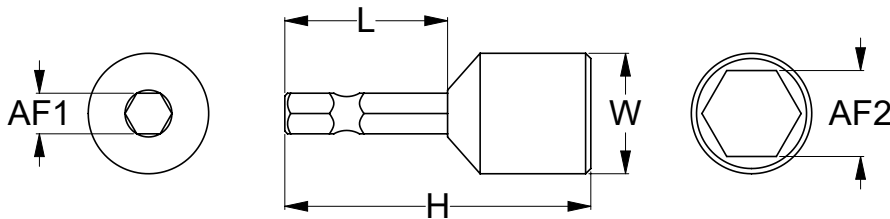
Socket to suit: MXSVS-SI



Features

- Easy and fast installation and attachment
- 1/4" drive
- Socket for easy installation of timber/metal vertical hangers

Part	QFind	To Suit Size Ø	Height	Length	AF1	AF2	Width	Colour	Pack Qty
		D (mm)	H (mm)	L (mm)	inch	(mm)	W (mm)		
MXSVS-SI	Q7199	M6/M8/M10	50	25	1/4	16	18	Blue	10



CONX[®]TRUCT

Disclaimer: While every reasonable effort has been made to ensure that this document is correct at the time of printing, Hobson Engineering®, its agencies and employees, disclaim any and all liability to any person in respect of anything or the consequences of anything done or omitted to be done in reliance upon the whole or any part of this document.

Bolt Tension | Anti-Vibration | Product Reliability | Traceability

hobson.com.au **QUALITY FASTENERS SINCE 1935**

