



PRODUCT DATA

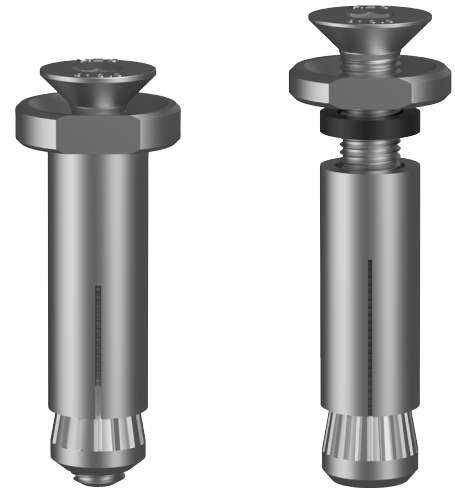
HBS-Bolt® CSK for Blind and Hollow Steel Connections

The HBS-Bolt® CSK is suitable for various steel connections due to its high shear capacity and large grip range. This enables installation where there is limited access as well as one-sided installation for fixing steel to hollow sections.

Applications	
<ul style="list-style-type: none"> • Fixing steel to hollow steel sections • Use with square, rectangle and circular hollow sections • High shear and tensile capacities • Large grip range • One-sided installation • Steel framework, including gantries, bridges, stadiums and transmission towers 	

Material	Class 8.8
-----------------	-----------

Coating	Hot Dipped Galvanised
----------------	-----------------------



3-part assembly

- » M8
- » M10
- » M12

5-part assembly

- » M16

Mechanical Properties					
Part Prefix.	Nominal Size	Characteristic Load ^a		Working Load	
		Tensile	Shear	Tensile	Shear
		kN	kN	kN	kN
KBB88GKM08	M8	24.3	26.1	6	7
KBB88GKM10	M10	44.8	45.6	10	12
KBB88GKM12	M12	51.6	58.3	13	15
KBB88GKM16	M16	89.1	105.3	23	28



Collar with across flats for use with open end spanner.

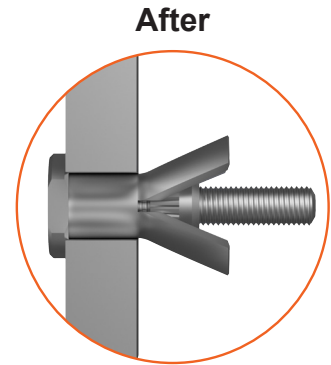
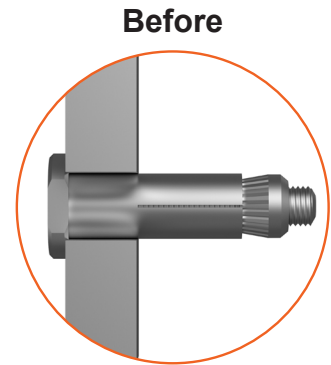
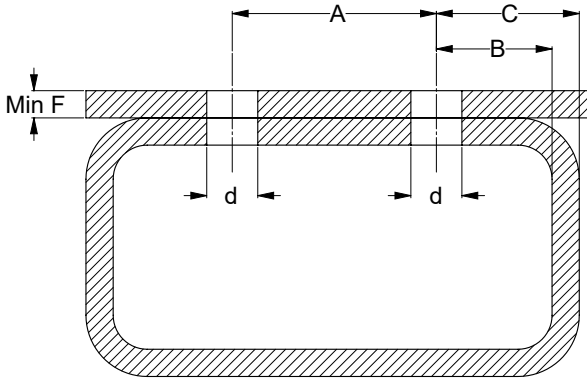
^aCharacteristic loads are used to calculate design resistance and only apply to the HBS-Bolt® assembly. They should not be used as working loads. The design resistance of the connection may be lower due to material properties of other parts of the connection.



PRODUCT DATA

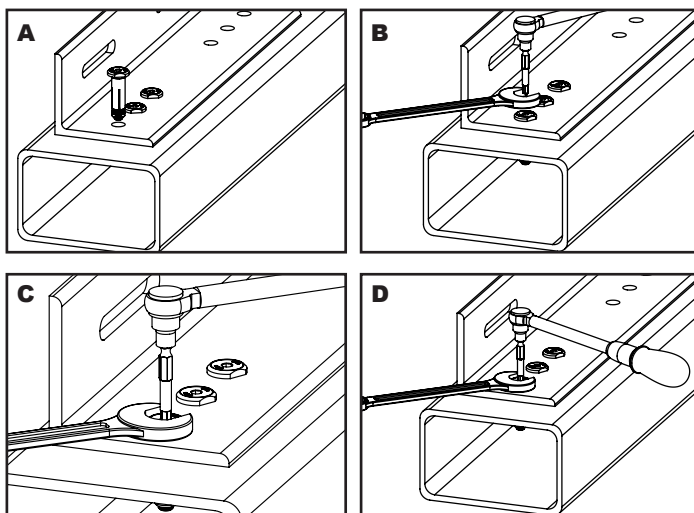
HBS-Bolt® CSK for Blind and Hollow Steel Connections

Hole Size and Spacing



Nominal Size	Hole in Steel Work	Hole Spacing		Edge Distance	Min. Fixture Thickness	Nominal Tightening Torque
		d (mm)	A (mm)			
M8	14.00 - 15.00	35	13	C > 17.5	1	25
M10	18.00 - 19.00	40	15	C > 22.5	1	45
M12	20.00 - 21.00	50	18	C > 25.0	1	80
M16	26.00 - 28.00	55	20	C > 32.5	8	190

Installation



Installation A - D Images

1. Bring steel work together, align pre-drilled holes and insert HBS-Bolt® CSK.
2. Prepare suitably sized open ended spanner, torque wrench and internal hex drive bit.
3. Place spanner over the larger hex collar and insert drive bit in the internal hex drive.
4. Holding the spanner in place, tighten the bolt head to the specified tightening torque.

Disclaimer: while every reasonable effort has been made to ensure that this document is correct at the time of printing, Hobson Engineering®, its agencies and employees disclaim all liability in respect to anything or the consequences of anything done or omitted regarding the whole or any part of this document.

Bolt Tension | Anti-Vibration | Product Reliability | Traceability

hobson.com.au **QUALITY FASTENERS SINCE 1935**

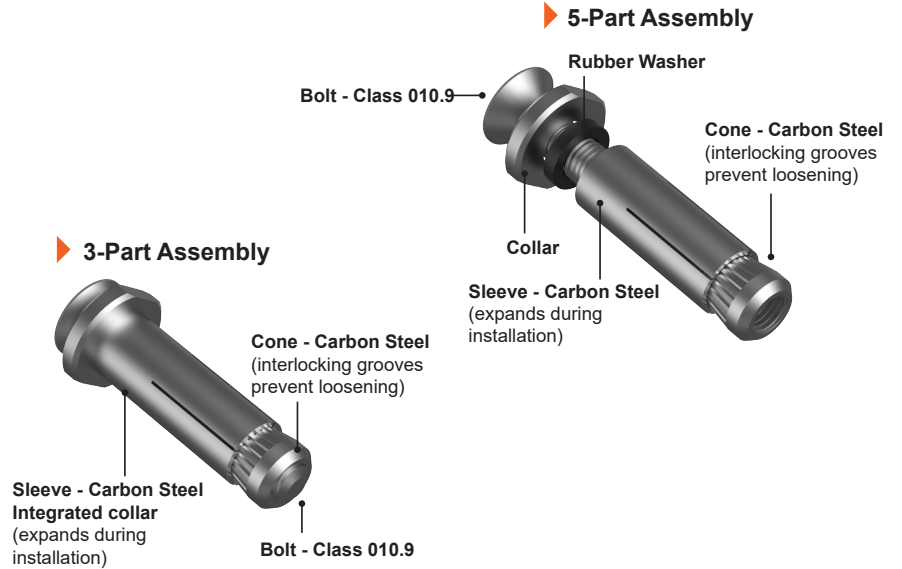
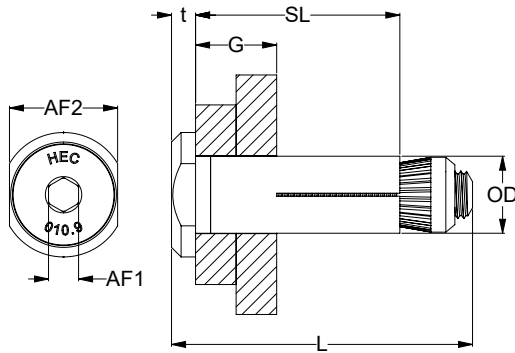




PRODUCT DATA

HBS-Bolt® CSK for Blind and Hollow Steel Connections

Dimensions



3-Part Assembly									
Part	QFind	Nominal Size	Bolt Length	Grip Range	Internal Hex Size	Sleeve		Collar	
						Length	Outer Ø	Across Flats	Thickness
			L (mm)	G (mm)	AF1 (mm)	SL (mm)	OD (mm)	AF2 (mm)	t (mm)
KBB88GKM080050	HBKG850	M8	50	3 - 22	5	30	13.75	19	5
KBB88GKM080070	HBKG870		70	22 - 41		49			
KBB88GKM080090	HBKG890		90	41 - 60		68			
KBB88GKM100050	HBKG1050	M10	50	3 - 22	6	30	17.75	24	6
KBB88GKM100070	HBKG1070		70	22 - 41		48			
KBB88GKM100090	HBKG1090		90	41 - 60		67			
KBB88GKM120055	HBKG1255	M12	55	3 - 25	8	35	19.75	30	7
KBB88GKM120080	HBKG1280		80	25 - 47		57			
KBB88GKM120100	HBKG12100		100	47 - 69		79			

5-Part Assembly									
Part	QFind	Nominal Size	Bolt Length	Grip Range	Internal Hex Size	Sleeve		Collar	
						Length	Outer Ø	Across Flats	Thickness
			L (mm)	G (mm)	AF1 (mm)	SL (mm)	OD (mm)	AF2 (mm)	t (mm)
KBB88GKM160070	HBKG1670	M16	70	12 - 29	10	42	25.75	36	8
KBB88GKM160100	HBKG16100		100	29 - 50		63			
KBB88GKM160120	HBKG16120		120	50 - 71		84			

Disclaimer: while every reasonable effort has been made to ensure that this document is correct at the time of printing, Hobson Engineering®, its agencies and employees disclaim all liability in respect to anything or the consequences of anything done or omitted regarding the whole or any part of this document.

Bolt Tension | Anti-Vibration | Product Reliability | Traceability

hobson.com.au **QUALITY FASTENERS SINCE 1935**





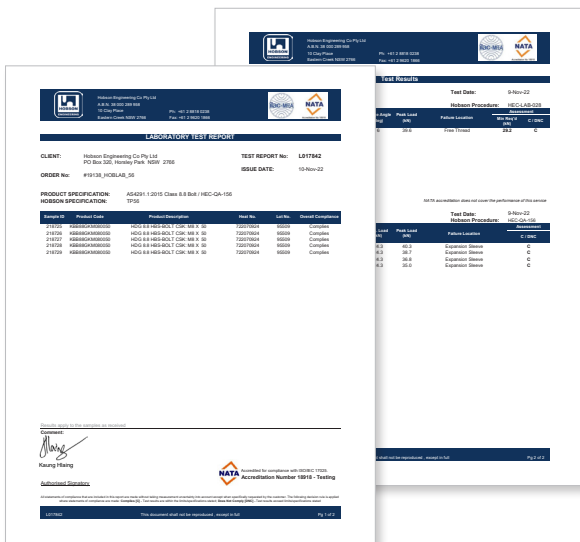
PRODUCT DATA

HBS-Bolt® CSK for Blind and Hollow Steel Connections

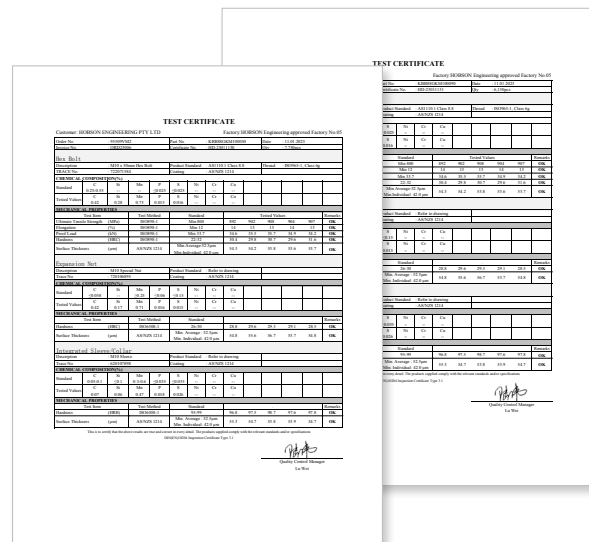
Quality Assurance Documentation Online

722070924 **FIND** Find Test Certificates by typing at least 3 characters of a Heat Number. Then press the FIND button to retrieve links to all matching certificates.

Heat Number	Description	Category	Part Number	Certificates
722070924	HDG 8.8 HBS-BOLT CSK: M8 X 50	Structural	KBB88GKM080050	



N NATA Certificate



T Test Certificate

Label Image Reference for online test certification

**HOT DIP GALVANISED
HBS-BOLT CSK - BLIND INSTALL
HEC / CLASS 8.8**

M8 x 50

QFind: **HBKG850**

50 pcs



HOBSON

KBB88GKM080050 **TRACE: 722070924**

LOT: 999999
PO: 999999 NS2
CTN WGT: 1.45kg



Disclaimer: while every reasonable effort has been made to ensure that this document is correct at the time of printing, Hobson Engineering®, its agencies and employees disclaim all liability in respect to anything or the consequences of anything done or omitted regarding the whole or any part of this document.

Bolt Tension | Anti-Vibration | Product Reliability | Traceability

hobson.com.au **QUALITY FASTENERS SINCE 1935**

