

DID YOU KNOW?

about our...



**NEW
PRODUCT**

HBS-Bolt® CSK for Blind & Hollow Steel Connections

The HBS-Bolt® CSK is suitable for various steel connections due to its high shear capacity and large grip range. This enables installation where there is limited access as well as one-sided installation for fixing steel to hollow sections.

HBS-BOLT® CSK FOR BLIND AND HOLLOW STEEL CONNECTIONS HOT DIP GALVANISED / HEC / CLASS 8.8

Part	QFind	Size	Length (mm)	Grip (mm)	Hex Size (mm)
KBB88GKM080050	HBKG850	M8	50	3 - 22	5
KBB88GKM080070	HBKG870	M8	70	22 - 41	5
KBB88GKM080090	HBKG890	M8	90	41 - 60	5
KBB88GKM100050	HBKG1050	M10	50	3 - 22	6
KBB88GKM100070	HBKG1070	M10	70	22 - 41	6
KBB88GKM100090	HBKG1090	M10	90	41 - 60	6
KBB88GKM120055	HBKG1255	M12	55	3 - 25	8
KBB88GKM120080	HBKG1280	M12	80	25 - 47	8
KBB88GKM120100	HBKG12100	M12	100	47 - 69	8
KBB88GKM160070	HBKG1670	M16	70	12 - 29	10
KBB88GKM160100	HBKG16100	M16	100	29 - 50	10
KBB88GKM160120	HBKG16120	M16	120	50 - 71	10



3-part assembly

- » M8
- » M10
- » M12

5-part assembly

- » M16

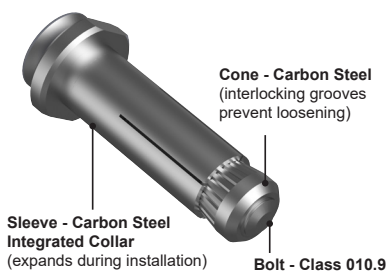


Countersunk
and collar with across flats for use with open end spanner.

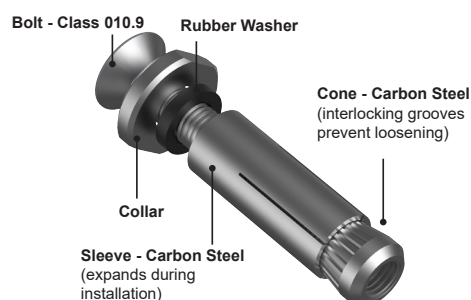
APPLICATIONS

- Fixing steel to hollow steel sections
- Use with square, rectangle and circular hollow sections
- High shear and tensile capacities
- Large grip range
- One-sided installation
- Steel framework including gantries, bridges, stadiums and transmission towers

3-Part Assembly



5-Part Assembly



Refer to the product data sheet for torque settings and edge distance information.

Disclaimer: while every reasonable effort has been made to ensure that this document is correct at the time of printing, Hobson Engineering®, its agencies and employees disclaim all liability in respect to anything or the consequences of anything done or omitted regarding the whole or any part of this document.



You can download this Test Certificate and/or Report from our website:

hobson.com.au

Bolt Tension | Anti-Vibration | Product Reliability | Traceability

hobson.com.au **QUALITY FASTENERS SINCE 1935**

