

DID YOU KNOW?

about our...



Page 1 of 2

**NEW
PRODUCT**

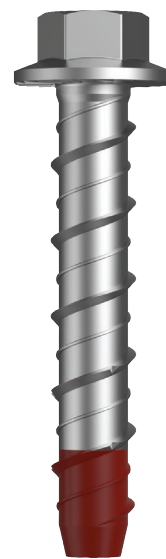
XBolt® Screw Anchors

XBolt® is a single unit screw type anchor that can be used in solid concrete applications. Fixing is achieved by screwing the anchor into a drilled hole in concrete. As it is screwed in, the anchor taps the hole, thus enabling it to produce a mechanical interlock with the concrete.

XBOLT® SCREW ANCHOR MECHANICAL GALVANISED / HEC



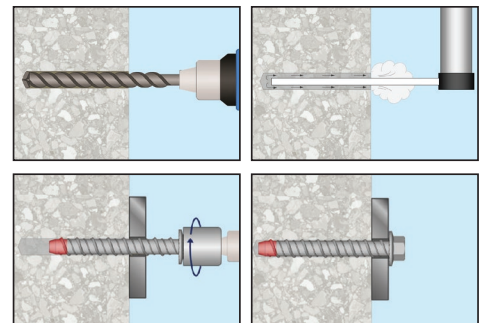
Part	QFind	Diameter	Length	Pack Qty
		Ø (mm)	(mm)	
MXHMSGM060030	MXH100	M6	30	100
MXHMSGM060050	MXH101	M6	50	100
MXHMSGM060075	MXH102	M6	75	50
MXHMSGM060100	MXH103	M6	100	50
MXHMSGM080050	MXH104	M8	50	50
MXHMSGM080060	MXH105	M8	60	50
MXHMSGM080075	MXH106	M8	75	50
MXHMSGM080100	MXH107	M8	100	50
MXHMSGM100060	MXH108	M10	60	50
MXHMSGM100075	MXH109	M10	75	50
MXHMSGM100100	MXH110	M10	100	50
MXHMSGM100120	MXH111	M10	120	50
MXHMSGM100150	MXH112	M10	150	50
MXHMSGM120075	MXH113	M12	75	50
MXHMSGM120100	MXH114	M12	100	50
MXHMSGM120150	MXH115	M12	150	50
MXHMSGM120200	-	M12	200	25
MXHMSGM160100	MXH116	M16	100	15
MXHMSGM160150	MXH117	M16	150	15



FEATURES

- Suitable for medium to heavy loads
- Suitable for small anchor spacing and edge distance applications
- Quick and easy to install
- Fully removable

Installation



XBolt

Disclaimer: While every reasonable effort has been made to ensure that this document is correct at the time of printing, Hobson Engineering®, its agencies and employees, disclaim any and all liability to any person in respect of anything or the consequences of anything done or omitted to be done in reliance upon the whole or any part of this document.

Bolt Tension | Anti-Vibration | Product Reliability | Traceability

hobson.com.au **QUALITY FASTENERS SINCE 1935**



210528DYK

DID YOU KNOW?

about our...



Page 2 of 2

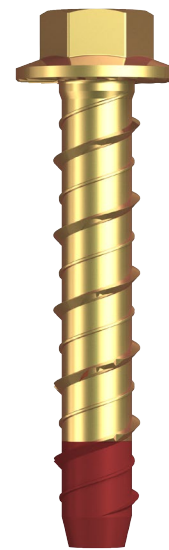
**NEW
PRODUCT**

XBolt® Screw Anchors

XBOLT® SCREW ANCHOR ZINC YELLOW PASSIVATE / HEC



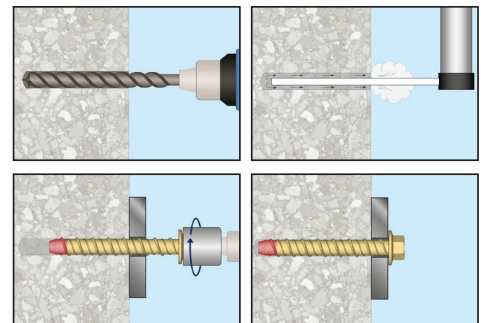
Part	QFind	Diameter	Length	Pack Qty
		Ø (mm)	(mm)	
MXHMSYM050030	MXH118	M5	30	200
MXHMSYM050050	MXH119	M5	50	100
MXHMSYM060030	MXH120	M6	30	100
MXHMSYM060050	MXH121	M6	50	100
MXHMSYM060075	MXH122	M6	75	50
MXHMSYM060100	MXH123	M6	100	50
MXHMSYM080050	MXH124	M8	50	50
MXHMSYM080060	MXH125	M8	60	50
MXHMSYM080075	MXH126	M8	75	50
MXHMSYM080100	MXH127	M8	100	50
MXHMSYM100060	MXH128	M10	60	50
MXHMSYM100075	MXH129	M10	75	50
MXHMSYM100100	MXH130	M10	100	50
MXHMSYM100120	MXH131	M10	120	50
MXHMSYM100150	MXH132	M10	150	50
MXHMSYM120075	MXH133	M12	75	50
MXHMSYM120100	MXH134	M12	100	50
MXHMSYM120150	MXH135	M12	150	50
MXHMSYM160100	MXH136	M16	100	15
MXHMSYM160150	MXH137	M16	150	15



FEATURES

- Suitable for medium to heavy loads
- Suitable for small anchor spacing and edge distance applications
- Quick and easy to install
- Fully removable

Installation



XBolt

Disclaimer: While every reasonable effort has been made to ensure that this document is correct at the time of printing, Hobson Engineering®, its agencies and employees, disclaim any and all liability to any person in respect of anything or the consequences of anything done or omitted to be done in reliance upon the whole or any part of this document.

Bolt Tension | Anti-Vibration | Product Reliability | Traceability

hobson.com.au **QUALITY FASTENERS SINCE 1935**



210528DYK