

DID YOU KNOW?

about our... **SS304 Metal Thread Wing Screw**



METAL THREAD WING SCREW 304 STAINLESS / DIN316B / A2

**NEW
PRODUCT**

Part	Size Ø	Overall Width	Nut Height	Length	Pack Qty
		W (mm)	T (mm)	L (mm)	
MS04PWM050016	M5	24	4.0	16	50
MS04PWM050020	M5	24	4.0	20	50
MS04PWM050025	M5	24	4.0	25	50
MS04PWM060016	M6	30	5.0	16	50
MS04PWM060020	M6	30	5.0	20	50
MS04PWM060025	M6	30	5.0	25	50
MS04PWM080020	M8	36	6.5	20	25
MS04PWM080025	M8	36	6.5	25	25
MS04PWM080030	M8	36	6.5	30	25

**NEW
PRODUCT**



» For Fast and Easy Adjustments...

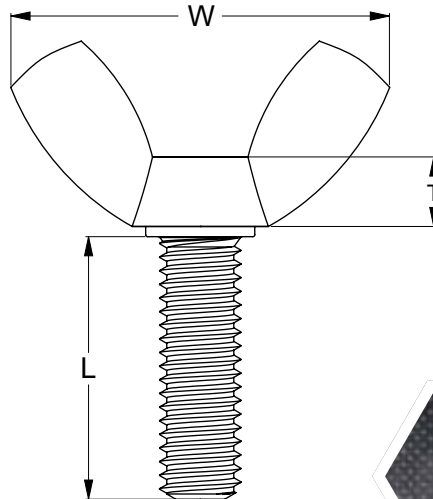
Wing Screws are designed to be easily installed and adjusted.

Used In:

- Furniture- beds, desks, and chairs
- Electrical fittings
- Aerials- antennas
- Light fittings
- Tripods, music stands and brackets
- Boats and bikes

Wing Screw

Also known as **Thumb Hand Screws**, have distinctive wings that extend from the head of the screw making it easy to tighten or remove without the use of a tool.



Stainless Steel 304

Designed to resist rust and corrosion.

DOWNLOAD:

This product has a **Test Certificate** and/or **Report** available

ONLINE

DID YOU KNOW?



about our... **304 Stainless Steel Wing Nuts**

For Fast and Easy Adjustments...

» Wing Nuts are designed to be easily installed and adjusted.

UNC WING NUT 304 STAINLESS / ANSI B18.17 TYPE A / A2

Part	Size Ø	TPI	Pack Qty
NW04P1024	10-24	24	100
NW04PC025	1/4"	20	100
NW04PC031	5/16"	18	100
NW04PC037	3/8"	16	100
NW04PC050	1/2"	13	50
NW04PC075	3/4"	10	25



Stainless steel Grade 304

- Stainless steel Grade 304 has good corrosion resistance in many applications.
- It is resistant to most food processing environments, can be readily cleaned, and resists organic chemicals, dye stuffs and a wide variety of inorganic chemicals.
- Typical applications for 304 include food and beverage processing, equipment and utensils, commercial and domestic kitchen construction, sinks and fasteners for the chemical/petrochemical industries.

METRIC WING NUT 304 STAINLESS / ANSI B18.17 TYPE A / A2

Part	Size Ø	Pitch (mm)	Pack Qty
NW04PCM03	M3	0.50	100
NW04PCM04	M4	0.70	100
NW04PCM05	M5	0.80	100
NW04PCM06	M6	1.00	100
NW04PCM08	M8	1.25	100
NW04PCM10	M10	1.50	100
NW04PCM12	M12	1.75	50
NW04PCM16	M16	2.00	25



DOWNLOAD:
This product has a
Test Certificate and/or
Report available

ONLINE