



# HOBSON EXHMSR18M XBOLT® PRO CONCRETE SCREW ANCHOR

ETA 14/0374 (20/07/2023)

Option 1†

Seismic

Fire Resistant

DOC Link 10028

† Suitable for use in Cracked and Non-Cracked Concrete.

Qfind	Part Number on label	Size	Minimum Embedment	ETA Option	Fire Rating	Seismic C1	Seismic C2	Seismic Embedment
EXH104	EXHMSR <b>18</b> M080065	M8x65	50mm	Option 1	✓	✓	✓	60mm
EXH105	EXHMSR <b>18</b> M080075	M8x75			✓	✓	✓	
EXH106	EXHMSR <b>18</b> M080090	M8x90			✓	✓	✓	
EXH107	EXHMSR <b>18</b> M080110	M8x110			✓	✓	✓	
EXH108	EXHMSR <b>18</b> M080130	M8x130			✓	✓	✓	
EXH139	EXHMSR <b>18</b> M080150	M8x150			✓	✓	✓	
EXH111	EXHMSR <b>18</b> M100100	M10x100	60mm	Option 1	✓	✓	✓	85mm
EXH112	EXHMSR <b>18</b> M100120	M10x120			✓	✓	✓	
EXH113	EXHMSR <b>18</b> M100140	M10x140			✓	✓	✓	
EXH114	EXHMSR <b>18</b> M100160	M10x160			✓	✓	✓	
EXH115	EXHMSR <b>18</b> M100200	M10x200			✓	✓	✓	
EXH150	EXHMSR <b>18</b> M120110	M12x110	75mm	Option 1	✓	✓	✓	105mm
EXH151	EXHMSR <b>18</b> M120130	M12x130			✓	✓	✓	
EXH152	EXHMSR <b>18</b> M120150	M12x150			✓	✓	✓	
EXH116	EXHMSR <b>18</b> M140115	M14x115	75mm	Option 1	✓	✓	✓	110mm
EXH117	EXHMSR <b>18</b> M140135	M14x135			✓	✓	✓	
EXH118	EXHMSR <b>18</b> M140160	M14x160			✓	✓	✓	



**INSTITUTO DE CIENCIAS  
DE LA CONSTRUCCIÓN  
EDUARDO TORROJA**

C/ Serrano Galvache n. 4 28033 Madrid (Spain)  
Tel.: (34) 91 302 04 40  
[direccion.ietcc@csic.es](mailto:direccion.ietcc@csic.es) <https://dit.ietcc.csic.es>



## European Technical Assessment

## ETA 14/0374 of 20/07/2023

English translation prepared by IETcc. Original version in Spanish language

### General Part

**Technical Assessment Body issuing the ETA designated according to Art. 29 of Regulation (EU) 305/2011:**

Instituto de Ciencias de la Construcción Eduardo Torroja (IETcc)

**Trade name of the construction product:**

**Anchor Sissy Stud concrete screw**

**Product family to which the construction product belongs:**

Concrete screw of sizes 7.5, 10.5, 12.5, 14.2 and 16.5 for use in cracked and non-cracked concrete.

**Manufacturer:**

**Joker Industrial Co. Ltd.**  
No 10 Changbin East 7rd.  
Changbin Industrial District.  
Hsien Hsi. Hsiang. Changhua Hsien.  
Taiwan R.O.C.  
website: [www.joker.com.tw](http://www.joker.com.tw)

**Manufacturing plants:**

**Joker Industrial Co. Ltd.**  
No 10 Changbin East 7rd.  
Changbin Industrial District.  
Hsien Hsi. Hsiang. Changhua Hsien.  
Taiwan R.O.C.

**This European Technical Assessment contains:**

29 pages including 4 annexes which form an integral part of this assessment.

**This European Technical Assessment is issued in accordance with regulation (EU) No 305/2011, on the basis of:**

European Technical Assessment EAD 330232-01-0601 "Mechanical Fasteners for use in concrete", ed. December 2019

**This ETA replaces:**

ETA 14/0374 version 3 issued on 21/02/2022



*English translation prepared by IETcc*

This European Technical Assessment is issued by the Technical Assessment Body in its official language. Translations of this European Technical Assessment in other languages shall fully correspond to the original issued document and should be identified as such.

This European Technical Assessment may be withdrawn by the issuing Technical Assessment Body, in particular pursuant to information by the Commission according to article 25 (3) of Regulation (EU) No 305/2011.

Código seguro de Verificación : GEN-6c03-9152-b5de-f106-be95-5b88-fc95-a3e1 | Puede verificar la integridad de este documento en la siguiente dirección : <https://portafirmas.redsara.es/pf/valida>

---

CSV : GEN-6c03-9152-b5de-f106-be95-5b88-fc95-a3e1

DIRECCIÓN DE VALIDACIÓN : <https://portafirmas.redsara.es/pf/valida>

FIRMANTE(1) : ANGEL CASTILLO TALAVERA | FECHA : 21/07/2023 12:22 | Sin acción específica



## SPECIFIC PART

### 1. Technical description of the product

The Sissy Stud (SS) concrete screw is a type of anchor made of carbon steel and stainless steel (bimetal). The anchor is made of carbon steel for sizes 7.5, 10.5, 12.5, 14.2 and 16.5 and of stainless steel for sizes 7.5, 10.5, 12.5. Both of them are screwed into a predrilled cylindrical drill hole. The special thread of the anchor cuts an internal thread into the member while setting. The anchorage is characterised by mechanical interlock in the special thread. In addition, a special plate is assembled to type SS size 12.5 to enhance shear behaviour (type TEVP).

The product and its installation description are shown in annexes A.

### 2. Specification of the intended use in accordance with the applicable European Assessment Document.

The performances given in section 3 are only valid if the anchor is used in compliance with the specifications and conditions given in annex B.

The verifications and assessment methods on which this European Technical Assessment is based lead to the assumption of a working life of the anchor of at least 50 years. The indications given on the working life cannot be interpreted as a guarantee given by the producer, but are to be regarded only as a means to choosing the right products in relation to the expected economically reasonable working life of the works.

### 3. Performance of the product and references to the methods used for its assessment

#### 3.1 Mechanical resistance and stability (BWR 1)

Essential characteristic	Performance
Static or quasi static actions	See annexes C1 to C7
Essential characteristic and displacements for seismic performance categories C1 and C2	See annexes C8 and C9

#### 3.2 Safety in case of fire (BWR 2)

Essential characteristic	Performance
Reaction to fire	Anchorage satisfy requirements for class A1
Resistance to fire	See annex D

### 4. Assessment and verification of constancy of performance (hereinafter AVCP) system applied, with reference to its legal base

The applicable European legal act for the system of Assessment and Verification of Constancy of Performances (see annex V of Regulation (EU) No 305/2011) is 96/582/EC.

The system to be applied is 1.



**5. Technical details necessary for the implementation of the AVCP system, as provided for in the applicable European Assessment Document.**

The technical details necessary for the implementation of the AVCP system are laid down in the quality plan deposited at Instituto de Ciencias de la Construcción Eduardo Torroja.



Instituto de Ciencias de la Construcción Eduardo Torroja  
CONSEJO SUPERIOR DE INVESTIGACIONES CIENTÍFICAS

C/ Serrano Galvache n.º 4. 28033 Madrid.  
Tel: (+34) 91 302 04 40  
<https://dit.ietcc.csic.es>



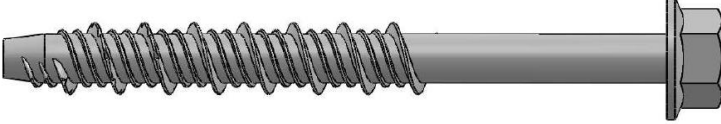
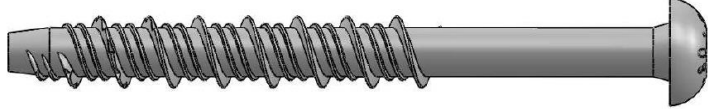
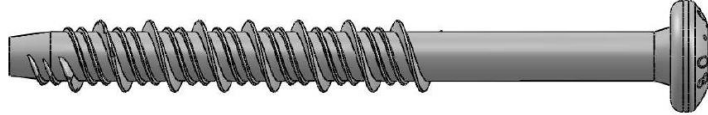
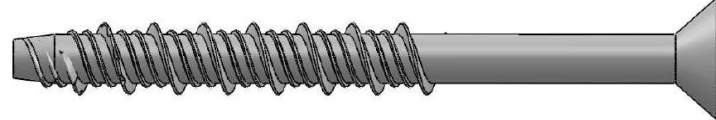
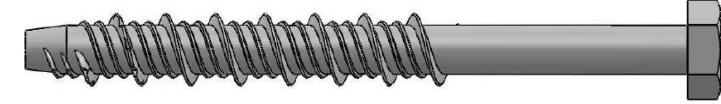
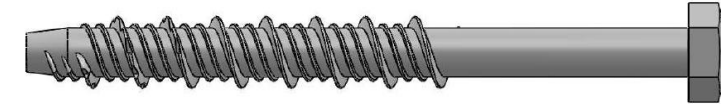
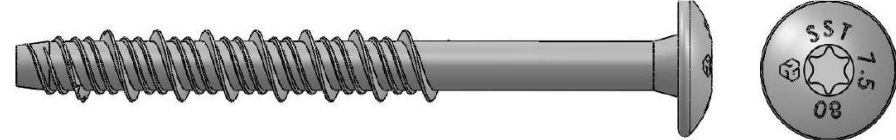
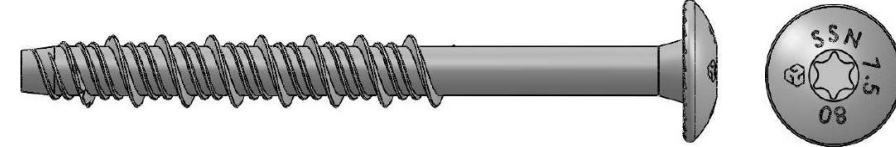
On behalf of the Instituto de Ciencias de la Construcción Eduardo Torroja  
Madrid, 20<sup>th</sup> of July 2023

Mr. Ángel Castillo Talavera



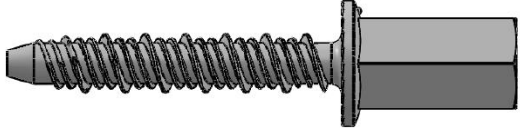



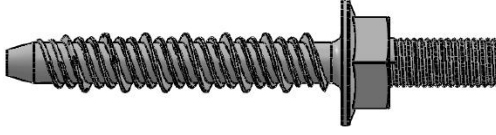
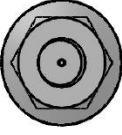


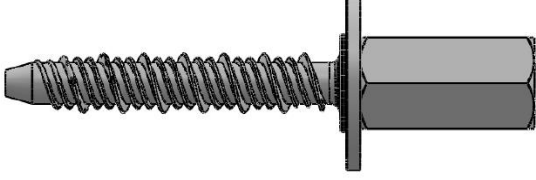
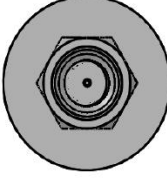
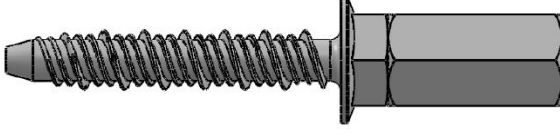

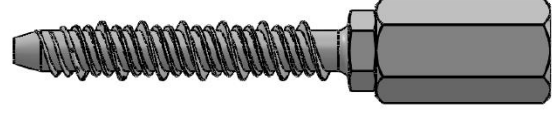

Director IETcc - CSIC



Código seguro de Verificación : GEN-6c03-9152-b5de-f106-be95-5b88-fc95-a3e1 | Puede verificar la integridad de este documento en la siguiente dirección : <https://portafirmas.redsara.es/pf/valida>



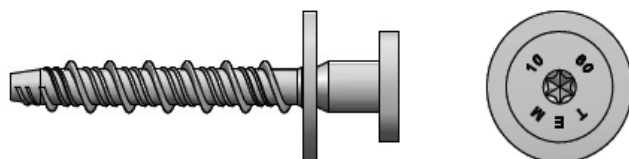
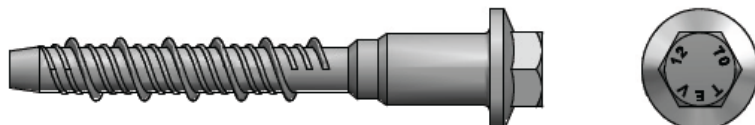
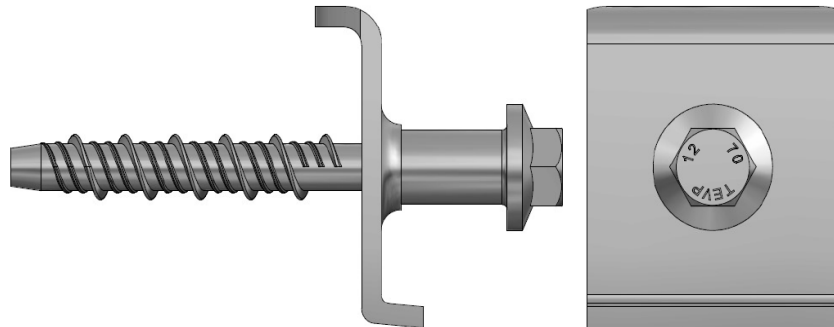
<b>Product and identification</b>	
	SSW
	SSR
	SSP
	SSK
	SSH
	SSX
	SST
	SSN
<b>Sissy Stud concrete screw</b>	<b>Annex A1</b>
<b>Product description</b>	
Identification	



		SSD
		SSI
		SSF
		SSO
		SSU
		SSG
		SSQ
		SSV
<b>Sissy Stud concrete screw</b>		<b>Annex A2</b>
<b>Product description</b>		
Identification		





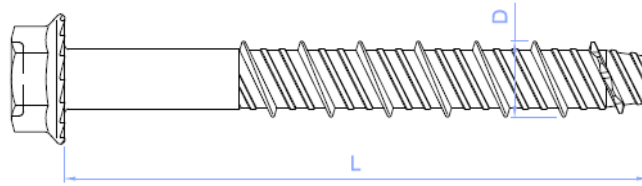
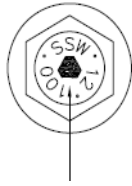
	SSG2
	SSC
	TEM
	TEV
	TEVP
<p>Note: TEVP is only assessed for SS 12.5 with <math>h_{nom} = 70</math> mm</p>	
<p><b>Sissy Stud concrete screw</b></p>	<p><b>Annex A3</b></p>
<p><b>Product description</b></p>	
<p>Identification</p>	



<p>Marking/Identification on anchor:</p> <ul style="list-style-type: none"> <li>• Company logo</li> <li>• Outer diameter</li> <li>• Length</li> <li>• Anchor type: <ul style="list-style-type: none"> <li>- Hex head with washer SSW</li> <li>- Round head SSR</li> <li>- Pan head SSP</li> <li>- Countersunk head SSK</li> <li>- Hex head SSH</li> <li>- Hex head, hexalobular recess SSX</li> <li>- Truss head SST</li> <li>- Truss head with underhead ribs SSN</li> <li>- Connection thread with hexagon drive SSD</li> <li>- Internal thread SSI</li> <li>- Flat washer head with connection thread SSF</li> <li>- Hex washer head with connection thread SSO</li> <li>- Hex head with connection thread SSU</li> <li>- SSF flex with coupler nut SSG</li> <li>- SSO flex with coupler nut SSQ</li> <li>- SSU flex with coupler nut SSV</li> <li>- SSG flex without washer SSG2</li> <li>- Hexagon head with bevelled shoulder SSC</li> <li>- Special head with TEM style TEM</li> <li>- Special head with TEV style TEV</li> <li>- Special head with TEV style with plate TEVP</li> </ul> </li> </ul>	
<b>Sissy Stud concrete screw</b>	<b>Annex A4</b>
<b>Product description</b>	
Identification and materials	

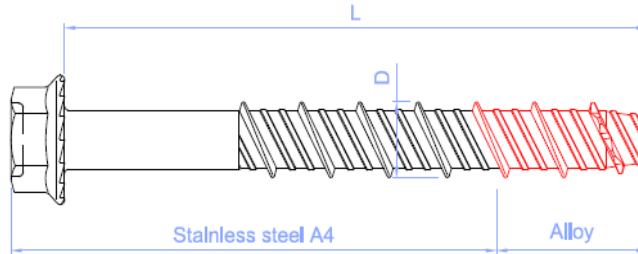
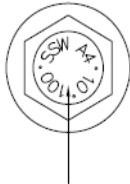


### SS Carbon Steel



**Head marking:**  
Identifying mark of producer: JOKER  
Outer diameter of thread: e.g. D=12.5  
Length L: e.g. 100 mm  
Material: Carbon Steel

### SS Bimetal



**Head marking:**  
Identifying mark of producer: JOKER  
Drill bit size: e.g. 10 mm  
Length L: e.g. 100 mm  
Material: A4 Stainless Steel

### Table A1: Materials

Item	Designation	Sissy Stud concrete screw (SS Carbon Steel)	Sissy Stud concrete screw (SS Bimetal)
1	Anchor Body	Carbon steel wire rod cold forged. Allowed coatings: <ul style="list-style-type: none"> <li>Zinc plated <math>\geq 5 \mu\text{m}</math> ISO 4042 Zn5</li> <li>Silver ruspert 1000/2000hours ISO9227</li> <li>Zinc flake <math>\geq 5 \mu\text{m}</math> EN 10683</li> <li>Mechanical plated <math>\geq 30 \mu\text{m}</math> EN ISO 12683 Zn 40 M(Fe)</li> </ul>	Shaft and head: stainless steel grade A4 ISO 3506-1 Tip: hardened carbon steel

### Sissy Stud concrete screw

#### Product description

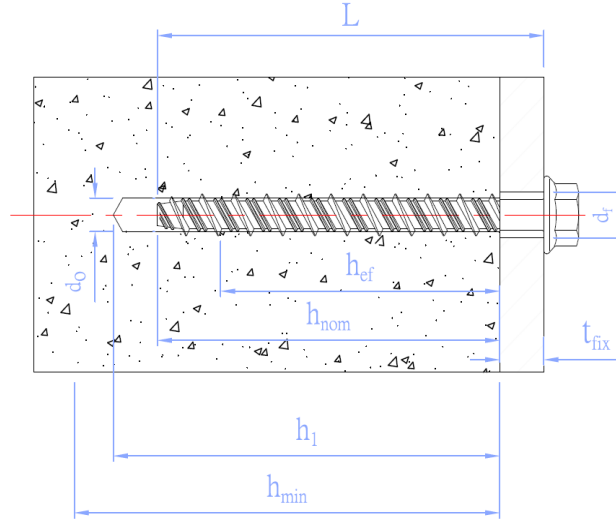
Identification and materials

**Annex A5**

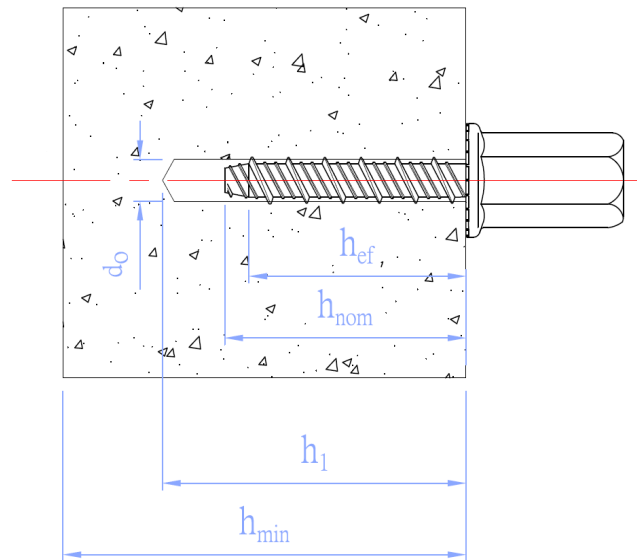


**Installed condition**

- $h_{ef}$ : Effective anchorage depth
- $h_1$ : Depth of drilled hole
- $h_{nom}$ : Overall anchor embedment depth in the concrete
- $h_{min}$ : Minimum thickness of concrete member
- $t_{fix}$ : Thickness of fixture
- $d_0$ : Nominal diameter of drill bit
- $d_f$ : Diameter of clearance hole in fixture
- $t_{fix}$ : Fixture thickness



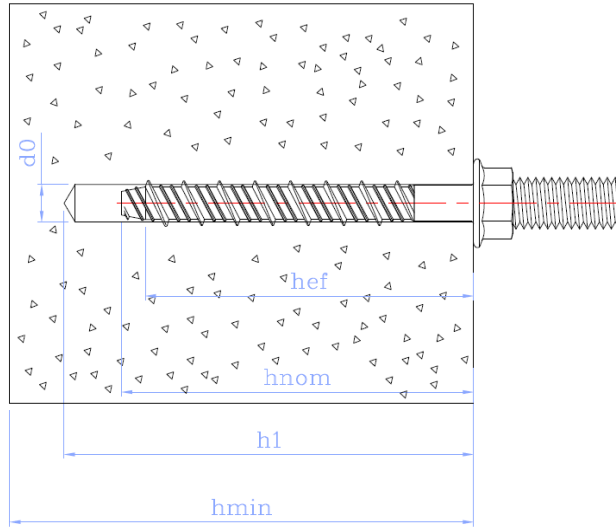
**Drawing A1.** Installed condition for anchors SSW, SSR, SSP, SSK, SSH, SSX, SST, SSN, SSC and TEV.



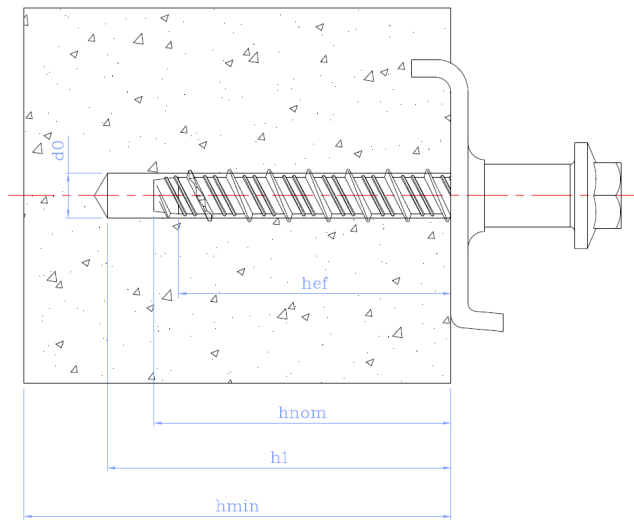
**Drawing A2.** Installed condition for anchors SSD, SSI, SSF, SSO, SSU, SSG, SSQ, SSV, SSG2 and TEM.

<b>Sissy Stud concrete screw</b>	<b>Annex A6</b>
<b>Product description</b>	
Installed condition	





**Drawing A3.** Installed condition for anchors SSD, SSI, SSF, SSO, SSU, SSG, SSQ, SSV, SSG2, TEM and TEV.



**Drawing A4.** Installed condition for anchors TEVP.

Note: TEVP is a set that contains a plate of steel plus a screw TEV

<b>Sissy Stud concrete screw</b>	<b>Annex A7</b>
<b>Product description</b>	
Installed condition	



### **Specification of intended use**

#### **Anchorage subjected to:**

- Static or quasi static loads: all sizes and embedment depths.
- Fire exposure up to 120 minutes
- Performances C1 and C2 (seismic) for SS Carbon Steel screws as shown below:

Size	7.5		10.5		12.5			14.2		16.5	
$h_{nom}$	40	55	50	60	60	70	85	75	105	75	110
C1	✓	✓		✓			✓		✓		✓
C2				✓			✓		✓		✓

#### **Base materials:**

- Reinforced and unreinforced normal weight concrete without fibers according to EN 206:2013 + A1:2016.
- Strength classes C20/25 to C50/60 according to EN 206:2013 + A1:2016.
- Cracked and uncracked concrete.

#### **Use conditions (environmental conditions):**

- The anchor SS Carbon Steel shall be used in dry internal conditions.
- The anchor SS Bimetal shall be used in dry internal conditions, external atmospheric exposure (including industrial and marine environment) or permanent internal damp conditions if there are no particular aggressive conditions. Such particular aggressive conditions are e.g., permanent, alternating immersion in seawater or the splash zone of seawater, chloride atmosphere of indoor swimming pools or atmosphere with extreme chemical pollution (e.g., in desulphurization plants or road tunnels where de-icing materials are used). Atmospheres under Corrosion Resistance Class CRC III according to EN 1993-1-4:2006+A1:2015 annex A.
- The anchor may be used for anchorages with requirements related to resistance to fire.

#### **Design:**

- Anchorages are designed under the responsibility of an engineer experienced in anchorages and concrete.
- Verifiable calculation rules and drawings are prepared taking into account of the loads to be attached. The position of the anchor is indicated on the design drawings (e.g. position of the anchor relative to reinforcement or to supports, etc.)
- Anchorages under static or quasi-static loads are designed for design Method A in accordance with EN 1992-4:2018
- Anchorages under seismic actions are designed in accordance with EN 1992-4:2018. Anchorages shall be positioned outside of critical regions (e.g. plastic hinges) of the concrete structure. Fastening in stand-off installation or with grout layer are not allowed.
- Anchorages under fire exposure are designed in accordance with EN 1992-4:2018. It must be ensured that local spalling of the concrete cover does not occur.
- Shear assessment only covers the shear force induced by the fixed piece, i.e. the piece located between the anchor head and the concrete block (piece contained in  $t_{fix}$ , see Drawing A1).

#### **Sissy Stud concrete screw**

Intended use

Specifications

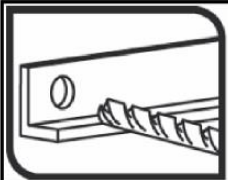
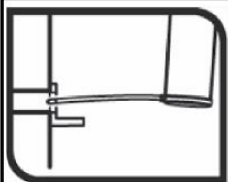
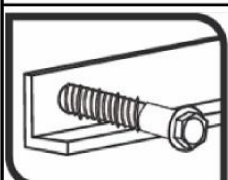
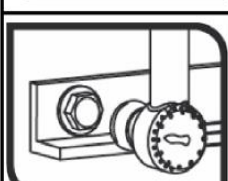
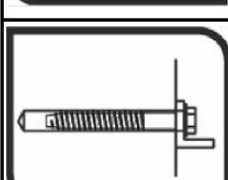
**Annex B1**



**Installation:**

- Hammer drilling only.
- Anchor installation carried out by appropriately qualified personal and under the supervision of the person responsible for technical matters of the site.
- In case of aborted hole: new drilling at a minimum distance away of twice the depth of aborted hole or smaller distance if the aborted hole is filled with high strength mortar and if under shear or oblique tension load it is not the direction of the load application.
- After installation further turning of the anchor is not possible.
- The head of the anchor is supported on the fixture, as it is shown in Drawing A1, and it must not be damaged.

**Installation process**

	<p><b>1. DRILL</b></p> <p>Drill a hole into the base material of correct diameter and depth by using a carbide drill bit in rotary plus hammer mode.</p>
	<p><b>2. BLOW and CLEAN</b></p> <p>Remove dust and debris from hole and loose particles left from drilling by using hand pump, compressed air or vacuum.</p>
	<p><b>3. INSTALL</b></p> <p>Hold screw anchor perpendicular direction into the base material through fixtures.</p>
	<p><b>4. APPLY TORQUE</b></p> <p>Select a power impact wrench or a torque wrench (e.g: Bosch GDS 18E, power input: 500 W; torque: 50-250 Nm). Power impact wrench does not exceed over torque Tinst.</p>
	<p><b>5. CHECK</b></p> <p>The head must be undamaged and in contact with the fixture. When screw head attach fixture or concrete surface firmly, further turning of the head is unnecessary.</p>

**Sissy Stud concrete screw**

**Intended use**

Specifications and installation procedure

**Annex B2**



**Table B1: Installation parameters for SS Carbon Steel**

Installation parameters SS Carbon Steel			Performance							
			7.5			10.5		12.5		
$h_{nom}$	Overall anchor embedment depth in the concrete:	[mm]	40	55		50	60	60	70	85
$d_0$	Nominal diameter of drill bit:	[mm]	6			8		10		
$d_f$	Diameter of clearance hole in fixture:	[mm]	9			12		14		
$d_s$	Outer diameter of the thread:	[mm]	7.5			10.5		12.5		
$d_k$	Core diameter:	[mm]	5.4			7.2		9.0		
$h_{min}$	Minimum thickness of concrete member:	[mm]	100	80	100	100	100	100	105	130
$h_1$	Depth of drilled hole:	[mm]	50	65		60	70	70	85	100
$h_{ef}$	Effective anchorage depth:	[mm]	29	42		37	45	44	52	65
$T_{ins}$	Installation torque:	[Nm]	15			25		50		
$t_{fix}$	Thickness of fixture <sup>1)</sup> :	[mm]	L-40	L-55		L-50	L-60	L-60	L-70	L-85
$s_{min}$	Minimum allowable spacing:	[mm]	35	50	45	35	50	50	60	70
$c_{min}$	Minimum allowable edge distance:	[mm]	35	35	45	35	50	40	60	60

<sup>1)</sup> L = Total length of the fastener

Installation parameters SS Carbon Steel			Performance			
			14.2		16.5	
$h_{nom}$	Overall anchor embedment depth in the concrete:	[mm]	75	105	75	110
$d_0$	Nominal diameter of drill bit:	[mm]	12		14	
$d_f$	Diameter of clearance hole in fixture:	[mm]	16		18	
$d_s$	Outer diameter of the thread:	[mm]	14.2		16.5	
$d_k$	Core diameter:	[mm]	11.3		13.6	
$h_{min}$	Minimum thickness of concrete member:	[mm]	120	170	120	175
$h_1$	Depth of drilled hole:	[mm]	90	120	90	130
$h_{ef}$	Effective anchorage depth:	[mm]	57	82	56	86
$T_{ins}$	Installation torque:	[Nm]	60		80	
$t_{fix}$	Thickness of fixture <sup>1)</sup> :	[mm]	L-75	L-105	L-75	L-110
$s_{min}$	Minimum allowable spacing:	[mm]	70	70	75	100
$c_{min}$	Minimum allowable edge distance:	[mm]	45	45	45	100

<sup>1)</sup> L = Total length of the fastener

**Sissy Stud concrete screw**

**Performances**

Installation parameters

**Annex B3**





**Table B2: Installation parameters for SS Bimetal**

Installation parameters SS Bimetal			Performance					
			7.5		10.5		12.5	
$h_{nom}$	Overall anchor embedment depth in the concrete:	[mm]	40	55	50	60	70	85
$d_0$	Nominal diameter of drill bit:	[mm]	6		8		10	
$d_f$	Diameter of clearance hole in fixture:	[mm]	9		12		14	
$d_s$	Outer diameter of the thread:	[mm]	7.5		10.5		12.5	
$d_k$	Core diameter:	[mm]	5.2		7.3		9.3	
$h_{min}$	Minimum thickness of concrete member:	[mm]	100	100	100	100	105	130
$h_1$	Depth of drilled hole:	[mm]	50	65	60	70	85	100
$h_{ef}$	Effective anchorage depth:	[mm]	29	42	37	45	52	65
$T_{ins}$	Installation torque:	[Nm]	15	20	25		50	
$t_{fix}$	Thickness of fixture <sup>1)</sup> :	[mm]	L-40	L-55	L-50	L-60	L-70	L-85
$s_{min}$	Minimum allowable spacing:	[mm]	35	35	35	50	60	70
$c_{min}$	Minimum allowable edge distance:	[mm]	35	35	35	50	60	60

<sup>1)</sup> L = Total length of the fastener

**Sissy Stud concrete screw**

**Performances**

Installation parameters

**Annex B4**



**Table C1: Characteristic values to tension loads for SS Carbon Steel**

Characteristic values of resistance to tension loads of design method A			Performance						
			7.5		10.5		12.5		
$h_{nom}$	Overall anchor embedment depth in the concrete:	[mm]	40	55	50	60	60	70	85
<b>Tension loads: steel failure</b>									
$N_{Rk,s}$	Tension steel characteristic resistance:	[kN]	18.7		32.7		51.2		
$\gamma_{Ms}$	Partial safety factor: <sup>1)</sup>	[-]	1.5		1.5		1.5		
<b>Tension loads: pull-out failure in concrete</b>									
$N_{Rk,p,ucr}$	Tension characteristic resistance in C20/25 uncracked concrete:	[kN]	6.0	9.0	12.5 <sup>2)</sup>	12.0 <sup>2)</sup>	22.0 <sup>2)</sup>	20.0 <sup>2)</sup>	34.0 <sup>2)</sup>
$N_{Rk,p,cr}$	Tension characteristic resistance in C20/25 cracked concrete:	[kN]	3.0	6.0	6.0	9.0	14.0 <sup>2)</sup>	12.0	24.0 <sup>2)</sup>
$\psi_c$	C30/37	[-]	1.16	1.22	1.16	1.08	1.14	1.04	1.18
$\psi_c$	C40/45	[-]	1.29	1.41	1.28	1.15	1.25	1.07	1.33
$\psi_c$	C50/60	[-]	1.40	1.55	1.39	1.19	1.34	1.09	1.46
<b>Tension loads: concrete cone and splitting failure</b>									
$\gamma_{ins}$	Installation safety factor: <sup>1)</sup>	[-]	1.2	1.2	1.2	1.2	1.2	1.2	1.0
$h_{ef}$	Effective embedment depth:	[mm]	29	42	37	45	44	52	65
$k_{ucr,N}$	Factor for uncracked concrete:	[-]	11.0						
$N^0_{Rk,c,ucr}$	Tension characteristic resistance in C20/25 uncracked concrete: <sup>3)</sup>	[kN]	7.7	13.4	11.1	14.8	14.4	18.4	25.8
$k_{cr,N}$	Factor for cracked concrete:	[-]	7.7						
$N^0_{Rk,c,cr}$	Tension characteristic resistance in C20/25 cracked concrete: <sup>3)</sup>	[kN]	5.4	9.4	7.8	10.4	10.1	12.9	18.0
$s_{cr,N}$	Critical spacing:	[mm]	3.0 x $h_{ef}$						
$c_{cr,N}$	Critical edge distance:	[mm]	1.5 x $h_{ef}$						
$s_{cr,sp}$	Critical spacing (splitting):	[mm]	3.0 x $h_{ef}$						
$c_{cr,sp}$	Critical edge distance (splitting):	[mm]	1.5 x $h_{ef}$						

- <sup>1)</sup> In absence of other national regulations  
<sup>2)</sup> Pull-out failure is not decisive ( $N^0_{Rk,c} < N_{Rk,p}$ )  
<sup>3)</sup> Equation 7.2 from EN 1992-4:2018

Note: SS 12.5 TEVP made of carbon steel and tested for  $h_{nom}=70$  works under tension loads as regular SS 12.5 with  $h_{nom}=70$ .

**Sissy Stud concrete screw**

**Performances**

Characteristic values for tension loads

**Annex C1**



**Table C1: Characteristic values to tension loads for SS Carbon Steel (continuation)**

Characteristic values of resistance to tension loads of design method A			Performance			
			14.2		16.5	
$h_{nom}$	Overall anchor embedment depth in the concrete:	[mm]	75	105	75	110
<b>Tension loads: steel failure</b>						
$N_{Rk,s}$	Tension steel characteristic resistance:	[kN]	80.6		115.9	
$\gamma_{Ms}$	Partial safety factor: <sup>1)</sup>	[-]	1.5		1.5	
<b>Tension loads: pull-out failure in concrete</b>						
$N_{Rk,p,ucr}$	Tension characteristic resistance in C20/25 uncracked concrete:	[kN]	24.0 <sup>2)</sup>	40.0 <sup>2)</sup>	30.0 <sup>2)</sup>	40.0 <sup>2)</sup>
$N_{Rk,p,cr}$	Tension characteristic resistance in C20/25 cracked concrete:	[kN]	19.0 <sup>2)</sup>	32.0 <sup>2)</sup>	20.0 <sup>2)</sup>	30.0 <sup>2)</sup>
$\psi_c$	C30/37	[-]	1.10	1.08	1.13	1.04
$\psi_c$	C40/45	[-]	1.17	1.15	1.24	1.07
$\psi_c$	C50/60	[-]	1.23	1.20	1.33	1.09
<b>Tension loads: concrete cone and splitting failure</b>						
$\gamma_{ins}$	Installation safety factor: <sup>1)</sup>	[-]	1.2	1.0	1.2	1.0
$h_{ef}$	Effective embedment depth:	[mm]	57	82	56	86
$k_{ucr,N}$	Factor for uncracked concrete:	[-]	11.0			
$N^0_{Rk,c,ucr}$	Tension characteristic resistance in C20/25 uncracked concrete: <sup>3)</sup>	[kN]	21.2	36.5	20.6	39.2
$k_{cr,N}$	Factor for cracked concrete:	[-]	7.7			
$N^0_{Rk,c,cr}$	Tension characteristic resistance in C20/25 cracked concrete: <sup>3)</sup>	[kN]	14.8	25.6	14.4	27.5
$s_{cr,N}$	Critical spacing:	[mm]	3.0 x $h_{ef}$			
$c_{cr,N}$	Critical edge distance:	[mm]	1.5 x $h_{ef}$			
$s_{cr,sp}$	Critical spacing (splitting):	[mm]	3.0 x $h_{ef}$			
$c_{cr,sp}$	Critical edge distance (splitting):	[mm]	1.5 x $h_{ef}$			

- <sup>1)</sup> In absence of other national regulations  
<sup>2)</sup> Pull-out failure is not decisive ( $N^0_{Rk,c} < N_{Rk,p}$ )  
<sup>3)</sup> Equation 7.2 from EN 1992-4:2018

**Sissy Stud concrete screw**

**Performances**

Characteristic values for tension loads

**Annex C2**



**Table C2: Characteristic values to tension loads for SS Bimetal**

Characteristic values of resistance to tension loads of design method A		Performance					
		7.5		10.5		12.5	
$h_{nom}$	Overall anchor embedment depth in the concrete: [mm]	40	55	50	60	70	85
<b>Tension loads: steel failure</b>							
$N_{Rk,s}$	Tension steel characteristic resistance: [kN]	17.0		33.5		54.3	
$\gamma_{Ms}$	Partial safety factor: <sup>1)</sup> [-]	1.5		1.5		1.5	
<b>Tension loads: pull-out failure in concrete</b>							
$N_{Rk,p,ucr}$	Tension characteristic resistance in C20/25 uncracked concrete: [kN]	6.0	13.0 <sup>2)</sup>	11.0 <sup>2)</sup>	17.0 <sup>2)</sup>	22.0 <sup>2)</sup>	32.0 <sup>2)</sup>
$N_{Rk,p,cr}$	Tension characteristic resistance in C20/25 cracked concrete: [kN]	2.0	11.0 <sup>2)</sup>	7.5 <sup>2)</sup>	12.0 <sup>2)</sup>	17.0 <sup>2)</sup>	24.0 <sup>2)</sup>
$\psi_c$	C30/37 [-]	1.09	1.11	1.09	1.12	1.09	1.13
$\psi_c$	C40/45 [-]	1.16	1.20	1.16	1.21	1.16	1.23
$\psi_c$	C50/60 [-]	1.22	1.27	1.21	1.28	1.22	1.31
<b>Tension loads: concrete cone and splitting failure</b>							
$\gamma_{ins}$	Installation safety factor: <sup>1)</sup> [-]	1.2	1.2	1.2	1.2	1.2	1.2
$h_{ef}$	Effective embedment depth: [mm]	29	42	37	45	52	65
$k_{ucr,N}$	Factor for uncracked concrete: [-]	11.0					
$N_{Rk,c,ucr}^0$	Tension characteristic resistance in C20/25 uncracked concrete: <sup>3)</sup> [kN]	7.7	13.4	11.1	14.8	18.4	25.8
$k_{cr,N}$	Factor for cracked concrete: [-]	7.7					
$N_{Rk,c,cr}^0$	Tension characteristic resistance in C20/25 cracked concrete: <sup>3)</sup> [kN]	5.4	9.4	7.8	10.4	12.9	18.0
$s_{cr,N}$	Critical spacing: [mm]	3.0 x $h_{ef}$					
$c_{cr,N}$	Critical edge distance: [mm]	1.5 x $h_{ef}$					
$s_{cr,sp}$	Critical spacing (splitting): [mm]	3.0 x $h_{ef}$					
$c_{cr,sp}$	Critical edge distance (splitting): [mm]	1.5 x $h_{ef}$					

- <sup>1)</sup> In absence of other national regulations  
<sup>2)</sup> Pull-out failure is not decisive ( $N_{Rk,c}^0 < N_{Rk,p}$ )  
<sup>3)</sup> Equation 7.2 from EN 1992-4:2018

**Sissy Stud concrete screw**

**Performances**

Characteristic values for tension loads

**Annex C3**



**Table C3: Displacements under tension loads for SS Carbon Steel**

Characteristic values of displacements under tension loads of design method A			Performance						
			7.5		10.5		12.5		
$h_{nom}$	Overall anchor embedment depth in the concrete:	[mm]	40	55	50	60	60	70	85
<b>Displacements under tension loads in uncracked concrete</b>									
N	Service tension load in uncracked concrete C20/25 to C50/60:	[kN]	2.4	3.6	4.4	4.8	5.7	9.5	12.3
$\delta_{N0}$	Short term displacement under tension loads:	[mm]	0.06	0.40	0.08	0.40	0.09	0.40	0.12
$\delta_{N\infty}$	Long term displacement under tension loads:	[mm]	0.30	1.00	0.35	1.10	0.40	1.40	0.55
<b>Displacements under tension loads in cracked concrete</b>									
N	Service tension load in cracked concrete C20/25 to C50/60:	[kN]	1.2	2.4	2.5	3.6	4.0	5.7	8.6
$\delta_{N0}$	Short term displacement under tension loads:	[mm]	0.10	0.60	0.12	0.70	0.15	0.50	0.17
$\delta_{N\infty}$	Long term displacement under tension loads:	[mm]	1.10	1.40	1.20	1.20	1.25	1.40	0.55

Note: SS 12.5 TEVP made of carbon steel and tested for  $h_{nom}=70$  works under tension loads as regular SS 12.5 with  $h_{nom}=70$ .

Characteristic values of displacements under tension loads of design method A			Performance			
			14.2		16.5	
$h_{nom}$	Overall anchor embedment depth in the concrete:	[mm]	75	105	75	110
<b>Displacements under tension loads in uncracked concrete</b>						
N	Service tension load in uncracked concrete C20/25 to C50/60:	[kN]	11.3	18.1	8.2	19.0
$\delta_{N0}$	Short term displacement under tension loads:	[mm]	0.08	0.10	0.10	0.90
$\delta_{N\infty}$	Long term displacement under tension loads:	[mm]	0.40	0.40	0.45	1.40
<b>Displacements under tension loads in cracked concrete</b>						
N	Service tension load in cracked concrete C20/25 to C50/60:	[kN]	7.7	13.3	5.7	11.9
$\delta_{N0}$	Short term displacement under tension loads:	[mm]	0.13	0.15	0.20	0.60
$\delta_{N\infty}$	Long term displacement under tension loads:	[mm]	1.25	1.35	1.32	1.20

**Table C4: Displacements under tension loads for SS Bimetal**

Characteristic values of displacements under tension loads of design method A			Performance					
			7.5		10.5		12.5	
$h_{nom}$	Overall anchor embedment depth in the concrete:	[mm]	40	55	50	60	70	85
<b>Displacements under tension loads in uncracked concrete</b>								
N	Service tension load in uncracked concrete C20/25 to C50/60:	[kN]	2.95	5.47	4.44	7.06	8.76	13.42
$\delta_{N0}$	Short term displacement under tension loads:	[mm]	0.11	0.15	0.23	0.32	0.39	0.54
$\delta_{N\infty}$	Long term displacement under tension loads:	[mm]	0.40	0.50	0.55	0.55	0.60	0.65
<b>Displacements under tension loads in cracked concrete</b>								
N	Service tension load in cracked concrete C20/25 to C50/60:	[kN]	1.0	4.66	3.09	5.08	7.02	10.25
$\delta_{N0}$	Short term displacement under tension loads:	[mm]	0.18	0.25	0.43	0.54	0.64	0.72
$\delta_{N\infty}$	Long term displacement under tension loads:	[mm]	1.13	1.20	1.33	1.40	1.47	1.47

Sissy Stud concrete screw

Performances

Displacement under tension loads

Annex C4



**Table C5: Characteristic values to shear loads for SS Carbon Steel**

Characteristic values of resistance to shear loads			Performance						
			7.5		10.5		12.5		
$h_{nom}$	Overall anchor embedment depth in the concrete:	[mm]	40	55	50	60	60	70	85
<b>Shear loads: steel failure without lever arm</b>									
$V_{Rk,s}$	Shear steel characteristic resistance:	[kN]	9.3	7.5	16.3		25.6		
$k_7$	$k_7$ factor: <sup>1)</sup>	[-]	0.8		0.8		0.8		
$\gamma_{Ms}$	Partial safety factor: <sup>2)</sup>	[-]	1.25		1.25		1.25		
<b>Shear loads: steel failure with lever arm</b>									
$M^0_{Rk,s}$	Characteristic bending moment:	[Nm]	15.2		35.3		69.3		
$\gamma_{Ms}$	Partial safety factor: <sup>2)</sup>	[-]	1.25		1.25		1.25		
<b>Shear loads: concrete pryout failure</b>									
$k_8$	$k_8$ factor:	[-]	1.0	1.0	1.2	1.0	1.0	1.0	2.0
$\gamma_{inst}$	Installation safety factor: <sup>2)</sup>	[-]	1.0		1.0		1.0		
<b>Shear loads: concrete edge failure</b>									
$l_f$	Effective anchorage depth under shear loads:	[mm]	29	42	37	45	44	52	65
$d_{nom}$	Nominal outer diameter of screw:	[mm]	6	6	8	8	10	10	10
$\gamma_{inst}$	Installation safety factor: <sup>2)</sup>	[-]	1.0		1.0		1.0		

<sup>1)</sup> The diameter of the clearance hole does not meet the values given in EN 1992-4 Table 6.1. However, the group resistance under shear loading has been verified in the assessment through testing and accounted for in the factor  $k_7$ .

<sup>2)</sup> In absence of other national regulations.

Characteristic values of resistance to shear loads			Performance					
			12.5 TEVP		14.2		16.5	
$h_{nom}$	Overall anchor embedment depth in the concrete:	[mm]	70		75	105	75	110
<b>Shear loads: steel failure without lever arm</b>								
$V_{Rk,s}$	Shear steel characteristic resistance:	[kN]	53.5		40.3		57.9	
$k_7$	$k_7$ factor: <sup>1)</sup>	[-]	0.8		0.8		0.8	
$\gamma_{Ms}$	Partial safety factor: <sup>2)</sup>	[-]	1.25		1.25		1.25	
<b>Shear loads: steel failure with lever arm</b>								
$M^0_{Rk,s}$	Characteristic bending moment:	[Nm]	69.3		137.1		235.9	
$\gamma_{Ms}$	Partial safety factor: <sup>2)</sup>	[-]	1.25		1.25		1.25	
<b>Shear loads: concrete pryout failure</b>								
$k_8$	$k_8$ factor:	[-]	4.5		1.5	2.0	1.6	2.0
$\gamma_{inst}$	Installation safety factor: <sup>2)</sup>	[-]	1.0		1.0		1.0	
<b>Shear loads: concrete edge failure</b>								
$l_f$	Effective anchorage depth under shear loads:	[mm]	52		57	82	56	86
$d_{nom}$	Nominal outer diameter of screw:	[mm]	10		12	12	14	14
$\gamma_{inst}$	Installation safety factor: <sup>2)</sup>	[-]	1.0		1.0		1.0	

<sup>1)</sup> The diameter of the clearance hole does not meet the values given in EN 1992-4 Table 6.1. However, the group resistance under shear loading has been verified in the assessment through testing and accounted for in the factor  $k_7$ .

<sup>2)</sup> In absence of other national regulations.

Note: SS 12.5 TEVP made of carbon steel and tested for  $h_{nom}=70$  works under shear loads better than regular SS 12.5 with  $h_{nom}=70$  and, in this line, its assessment values are updated in the table above.

**Sissy Stud concrete screw**

**Performances**

Characteristic values for shear loads

**Annex C5**



**Table C6: Characteristic values to shear loads for SS Bimetal**

Characteristic values of resistance to shear loads		Performance					
		7.5		10.5		12.5	
$h_{nom}$	Overall anchor embedment depth in the concrete: [mm]	40	55	50	60	70	85
<b>Shear loads: steel failure without lever arm</b>							
$V_{Rk,s}$	Shear steel characteristic resistance: [kN]	8.5		16.7		27.2	
$k_7$	$k_7$ factor: <sup>1)</sup> [-]	0.8	0.8	1.0		1.0	
$\gamma_{Ms}$	Partial safety factor: <sup>2)</sup> [-]	1.25		1.25		1.25	
<b>Shear loads: steel failure with lever arm</b>							
$M^0_{Rk,s}$	Characteristic bending moment: [Nm]	13.2	13.2	36.6		75.7	
$\gamma_{Ms}$	Partial safety factor: <sup>2)</sup> [-]	1.25		1.25		1.25	
<b>Shear loads: concrete pryout failure</b>							
$k_8$	$k_8$ factor: [-]	1.0	1.0	1.0	1.0	1.09	2.0
$\gamma_{inst}$	Installation safety factor: <sup>2)</sup> [-]	1.0		1.0		1.0	
<b>Shear loads: concrete edge failure</b>							
$l_f$	Effective anchorage depth under shear loads: [mm]	29	42	37	45	52	65
$d_{nom}$	Nominal outer diameter of screw: [mm]	6	6	8	8	10	10
$\gamma_{inst}$	Installation safety factor: <sup>2)</sup> [-]	1.0		1.0		1.0	

<sup>1)</sup> The diameter of the clearance hole does not meet the values given in EN 1992-4 Table 6.1. However, the group resistance under shear loading has been verified in the assessment through testing and accounted for in the factor  $k_7$ .

<sup>2)</sup> In absence of other national regulations.

**Sissy Stud concrete screw**

**Performances**

Characteristic values for shear loads

**Annex C6**



**Table C7: Displacements under shear loads for SS Carbon Steel**

Characteristic values of displacements under shear loads of design method A		Performances						
		7.5		10.5		12.5		
$h_{nom}$	Overall anchor embedment depth in the concrete: [mm]	40	55	50	60	60	70	85
<b>Displacements under shear loads in uncracked concrete</b>								
V	Service shear load in uncracked concrete C20/25 to C50/60: [kN]	3.0	3.6	4.4	4.8	5.7	9.5	12.3
$\bar{\delta}_{V0}$	Short term displacement under shear loads: [mm]	0.47	0.4	0.50	0.40	0.40	0.40	0.80
$\bar{\delta}_{V\infty}$	Long term displacement under shear loads: [mm]	0.70	1.0	0.75	1.10	0.60	1.40	1.20
<b>Displacements under shear loads in cracked concrete</b>								
V	Service shear load in cracked concrete C20/25 to C50/60: [kN]	2.1	2.4	3.1	3.6	4.0	5.7	8.6
$\bar{\delta}_{V0}$	Short term displacement under shear loads: [mm]	0.40	0.60	0.45	0.70	0.50	0.50	0.6
$\bar{\delta}_{V\infty}$	Long term displacement under shear loads: [mm]	0.60	1.40	0.67	1.20	0.75	1.40	0.90

Characteristic values of displacements under shear loads of design method A		Performances					
		12.5 TEVP		14.2		16.5	
$h_{nom}$	Overall anchor embedment depth in the concrete: [mm]	70		75	105	75	110
<b>Displacements under shear loads in uncracked concrete</b>							
V	Service shear load in uncracked concrete C20/25 to C50/60: [kN]	28.5		8.4	17.4	8.2	19.0
$\bar{\delta}_{V0}$	Short term displacement under shear loads: [mm]	4.55		1.00	1.10	0.55	0.90
$\bar{\delta}_{V\infty}$	Long term displacement under shear loads: [mm]	6.82		1.50	1.80	0.82	1.4
<b>Displacements under shear loads in cracked concrete</b>							
V	Service shear load in cracked concrete C20/25 to C50/60: [kN]	NPD <sup>1)</sup>		5.9	12.2	5.7	11.9
$\bar{\delta}_{V0}$	Short term displacement under shear loads: [mm]	NPD <sup>1)</sup>		0.85	1.00	0.50	0.60
$\bar{\delta}_{V\infty}$	Long term displacement under shear loads: [mm]	NPD <sup>1)</sup>		1.20	1.50	0.75	1.20

<sup>1)</sup> No Performance Determined (NPD)

**Table C8: Displacements under shear loads for SS Bimetal**

Characteristic values of displacements under shear loads of design method A		Performances					
		7.5		10.5		12.5	
$h_{nom}$	Overall anchor embedment depth in the concrete: [mm]	40	55	50	60	70	85
<b>Displacements under shear loads in uncracked concrete</b>							
V	Service shear load in uncracked concrete C20/25 to C50/60: [kN]	2.7	3.3	4.0	5.3	8.0	11.2
$\bar{\delta}_{V0}$	Short term displacement under shear loads: [mm]	1.42	1.55	1.64	1.75	1.78	2.11
$\bar{\delta}_{V\infty}$	Long term displacement under shear loads: [mm]	2.13	2.33	2.46	2.63	2.67	3.17
<b>Displacements under shear loads in cracked concrete</b>							
V	Service shear load in cracked concrete C20/25 to C50/60: [kN]	1.9	2.3	2.8	3.7	5.6	7.8
$\bar{\delta}_{V0}$	Short term displacement under shear loads: [mm]	1.22	1.34	1.45	1.52	1.57	1.67
$\bar{\delta}_{V\infty}$	Long term displacement under shear loads: [mm]	1.83	2.01	2.18	2.28	2.36	2.51

**Sissy Stud concrete screw**

**Performances**

Displacements under shear loads

**Annex C7**





**Table C9: Essential characteristics for seismic performance category C1 for SS Carbon Steel**

Essential characteristics for seismic performance category C1			Performances					
			7.5	10.5	12.5	14.2	16.5	
$h_{nom}$	Overall anchor embedment depth in the concrete:	[mm]	40	55	60	85	105	110
<b>Steel failure for tension and shear loads</b>								
$N_{Rk,s,C1}$	Characteristic resistance:	[kN]	18.7	32.7	51.2	80.6	115.9	
$\gamma_{Ms}$	Partial safety factor <sup>1)</sup> :	[-]	1.5	1.5	1.5	1.5	1.5	1.5
$V_{Rk,s,C1}$	Characteristic resistance:	[kN]	6.4	7.5	16.3	24.3	39.9	57.9
$\gamma_{Ms}$	Partial safety factor <sup>1)</sup> :	[-]	1.25	1.25	1.25	1.25	1.25	1.25
<b>Pull out failure</b>								
$N_{Rk,p,C1}$	Characteristic resistance in cracked concrete:	[kN]	2.9	5.6	9.0	24.0	24.3	30.0
$\gamma_{inst}$	Robustness:	[-]	1.2	1.2	1.2	1.0	1.0	1.0
<b>Concrete cone failure</b>								
$h_{ef}$	Effective embedment depth:	[mm]	29	42	45	65	82	86
$s_{cr,N}$	Concrete Spacing:	[mm]	87	126	135	195	246	258
$c_{cr,N}$	cone failure Edge distance:	[mm]	43	63	67	98	123	129
$\gamma_{inst}$	Installation safety factor:	[-]	1.2	1.2	1.2	1.0	1.0	1.0
<b>Concrete pry-out failure</b>								
$k_s$	Pry-out factor:	[-]	1.0	1.0	1.0	2.0	2.0	2.0
$\gamma_{inst}$	Installation safety factor:	[-]	1.0	1.0	1.0	1.0	1.0	1.0
<b>Concrete edge failure</b>								
$l_t = h_{ef}$	Effective length of fastener under shear loads:	[mm]	29	42	45	65	82	86
$d_{nom}$	Nominal outer diameter of screw:	[mm]	6	6	8	10	12	14
$\gamma_{inst}$	Installation safety factor:	[-]	1.0	1.0	1.0	1.0	1.0	1.0

<sup>1)</sup> In absence of other national regulations

**Sissy Stud concrete screw**

**Performances**

Essential characteristics for seismic performance category C1

**Annex C8**



**Table C10: Essential characteristics for seismic performance category C2 for SS Carbon Steel**

Essential characteristics for seismic performance category C2			Performances			
			10.5	12.5	14.2	16.5
$h_{nom}$	Overall anchor embedment depth in the concrete:	[mm]	60	85	105	110
<b>Steel failure for tension and shear loads</b>						
$N_{Rk,s,C2}$	Characteristic resistance:	[kN]	32.7	51.2	80.6	115.9
$\gamma_{Ms}$	Partial safety factor <sup>1)</sup> :	[-]	1.5	1.5	1.5	1.5
$V_{Rk,s,C2}$	Characteristic resistance:	[kN]	13.7	16.1	28.3	41.1
$\gamma_{Ms}$	Partial safety factor <sup>1)</sup> :	[-]	1.25	1.25	1.25	1.25
<b>Pull out failure</b>						
$N_{Rk,p,C2}$	Characteristic resistance in cracked concrete:	[kN]	5.2	11.0	3.2	9.6
$\gamma_{inst}$	Robustness:	[-]	1.2	1.0	1.0	1.0
<b>Concrete cone failure</b>						
$h_{ef}$	Effective embedment depth:	[mm]	45	65	82	86
$s_{cr,N}$	Concrete Spacing:	[mm]	135	195	246	258
$c_{cr,N}$	cone failure Edge distance:	[mm]	68	98	123	129
$\gamma_{inst}$	Installation safety factor:	[-]	1.2	1.0	1.0	1.0
<b>Concrete pry-out failure</b>						
$k_s$	Pry-out factor:	[-]	1.0	2.0	2.0	2.0
$\gamma_{inst}$	Installation safety factor:	[-]	1.0	1.0	1.0	1.0
<b>Concrete edge failure</b>						
$l_f = h_{ef}$	Effective length of fastener under shear loads:	[mm]	45	65	82	86
$d_{nom}$	Nominal outer diameter of screw:	[mm]	8.0	10.0	12.0	14.0
$\gamma_{inst}$	Installation safety factor:	[-]	1.0	1.0	1.0	1.0
<b>Displacements</b>						
$\bar{\delta}_{N,C2} (DLS)$	Displacement at	[mm]	0.15	0.35	0.65	0.73
$\bar{\delta}_{V,C2} (DLS)$	Damage Limitation State: <sup>2)</sup>	[mm]	4.15	5.16	5.65	5.67
$\bar{\delta}_{N,C2} (ULS)$	Displacement at	[mm]	1.41	1.11	4.66	2.06
$\bar{\delta}_{V,C2} (ULS)$	Ultimate Limitation State: <sup>2)</sup>	[mm]	8.27	7.90	12.14	7.90

DLS: Damage Limitation State: see EN 1992-4, 2.2.1)  
ULS: Ultimate Limitation State: see EN 1992-4 2.2.1)

- <sup>1)</sup> In absence of other national regulations.  
<sup>2)</sup> The listed displacements represent mean values.

**Sissy Stud concrete screw**

**Performances**

Essential characteristics for seismic performance category C2

**Annex C9**



**Table D1: Characteristic values to fire resistance for SS Carbon Steel**

Fire resistance duration = 30 minutes			Performances										
			7.5		10.5		12.5			14.2		16.5	
$h_{nom}$	Overall anchor embedment depth in the concrete:	[mm]	40	55	50	60	60	70	85	75	105	75	110
<b>Tension loads, steel failure</b>													
$N_{Rk,s,fi,30}$	Characteristic resistance:	[kN]	0.23	0.23	0.41	0.41	0.95	0.95	0.95	2.02	2.02	2.91	2.91
<b>Pull-out failure</b>													
$N_{Rk,p,fi,30}$	Character. resistance in concrete:	[kN]	0.77	1.43	1.58	2.28	3.66	3.60	6.09	4.85	8.38	5.04	7.43
<b>Concrete cone failure <sup>1)</sup></b>													
$N_{Rk,c,fi,30}$	Character. resistance in concrete:	[kN]	0.78	1.97	1.43	2.34	2.21	3.36	5.86	4.22	10.48	4.04	11.81
<b>Shear loads steel failure without lever arm</b>													
$V_{Rk,s,fi,30}$	Characteristic resistance	[kN]	0.23	0.23	0.41	0.41	0.95	0.95	0.95	2.02	2.02	2.91	2.91
<b>Shear loads, steel failure with lever arm</b>													
$M_{Rk,s,fi,30}$	Characteristic bending resistance:	[Nm]	0.19	0.19	0.44	0.44	1.29	1.29	1.29	3.43	3.43	5.93	5.93

Fire resistance duration = 60 minutes			Performances										
			7.5		10.5		12.5			14.2		16.5	
$h_{nom}$	Overall anchor embedment depth in the concrete:	[mm]	40	55	50	60	60	70	85	75	105	75	110
<b>Tension loads, steel failure</b>													
$N_{Rk,s,fi,60}$	Characteristic resistance:	[kN]	0.21	0.21	0.37	0.37	0.83	0.83	0.83	1.51	1.51	2.18	2.18
<b>Pull-out failure</b>													
$N_{Rk,p,fi,60}$	Character. resistance in concrete:	[kN]	0.77	1.43	1.58	2.28	3.66	3.60	6.09	4.85	8.38	5.04	7.43
<b>Concrete cone failure <sup>1)</sup></b>													
$N_{Rk,c,fi,60}$	Character. resistance in concrete:	[kN]	0.78	1.97	1.43	2.34	2.21	3.36	5.86	4.22	10.48	4.04	11.81
<b>Shear loads steel failure without lever arm</b>													
$V_{Rk,s,fi,60}$	Characteristic resistance:	[kN]	0.21	0.21	0.37	0.37	0.83	0.83	0.83	1.51	1.51	2.18	2.18
<b>Shear loads, steel failure with lever arm</b>													
$M_{Rk,s,fi,60}$	Characteristic bending resistance:	[Nm]	0.17	0.17	0.40	0.40	1.12	1.12	1.12	2.57	2.57	4.45	4.45

<sup>1)</sup> As a rule, splitting failure can be neglected when cracked concrete and reinforcement is assumed.

Note: In absence of other national regulations, the partial safety factor for resistance under fire exposure  $\gamma_{M,fi} = 1.0$  is recommended for steel failure and concrete related failure modes under shear loading. In case of concrete related failure modes under tension  $\gamma_{M,fi} = \gamma_{inst.}$ .

**Sissy Stud concrete screw**

**Performances**  
Characteristic values for fire resistance

**Annex D1**



**Table D1: Characteristic values to fire resistance for SS Carbon Steel (continuation)**

Fire resistance duration = 90 minutes			Performances										
			7.5		10.5		12.5			14.2		16.5	
$h_{nom}$	Overall anchor embedment depth in the concrete:	[mm]	40	55	50	60	60	70	85	75	105	75	110
<b>Tension loads, steel failure</b>													
$N_{Rk,s,fi,90}$	Characteristic resistance:	[kN]	0.16	0.16	0.29	0.29	0.64	0.64	0.64	1.31	1.31	1.89	1.89
<b>Pull-out failure</b>													
$N_{Rk,p,fi,90}$	Character. resistance in concrete:	[kN]	0.77	1.43	1.58	2.28	3.66	3.60	6.09	4.85	8.38	5.04	7.43
<b>Concrete cone failure <sup>1)</sup></b>													
$N_{Rk,c,fi,90}$	Character. resistance in concrete:	[kN]	0.78	1.97	1.43	2.34	2.21	3.36	5.86	4.22	10.48	4.04	11.81
<b>Shear loads steel failure without lever arm</b>													
$V_{Rk,s,fi,90}$	Characteristic resistance:	[kN]	0.16	0.16	0.29	0.29	0.64	0.64	0.64	1.31	1.31	1.89	1.89
<b>Shear loads, steel failure with lever arm</b>													
$M_{Rk,s,fi,90}$	Characteristic bending resistance:	[Nm]	0.13	0.13	0.31	0.31	0.86	0.86	0.86	2.23	2.23	3.85	3.85

Fire resistance duration = 120 minutes			Performances										
			7.5		10.5		12.5			14.2		16.5	
$h_{nom}$	Overall anchor embedment depth in the concrete:	[mm]	40	55	50	60	60	70	85	75	105	75	110
<b>Tension loads, steel failure</b>													
$N_{Rk,s,fi,120}$	Characteristic resistance:	[kN]	0.11	0.11	0.20	0.20	0.51	0.51	0.51	1.01	1.01	1.45	1.45
<b>Pull-out failure</b>													
$N_{Rk,p,fi,120}$	Character. resistance in concrete:	[kN]	0.62	1.14	1.27	1.82	2.93	2.88	4.87	3.88	6.70	4.03	5.94
<b>Concrete cone failure <sup>1)</sup></b>													
$N_{Rk,c,fi,120}$	Character. resistance in concrete:	[kN]	0.62	1.57	1.15	1.87	1.77	2.69	4.69	3.38	8.39	3.23	9.45
<b>Shear loads steel failure without lever arm</b>													
$V_{Rk,s,fi,120}$	Characteristic resistance:	[kN]	0.11	0.11	0.20	0.20	0.51	0.51	0.51	1.01	1.01	1.45	1.45
<b>Shear loads, steel failure with lever arm</b>													
$M_{Rk,s,fi,120}$	Characteristic bending resistance:	[Nm]	0.09	0.09	0.22	0.22	0.69	0.69	0.69	1.71	1.71	2.96	2.96

<sup>1)</sup> As a rule, splitting failure can be neglected when cracked concrete and reinforcement is assumed.

Note: In absence of other national regulations, the partial safety factor for resistance under fire exposure  $\gamma_{M,fi} = 1.0$  is recommended for steel failure and concrete related failure modes under shear loading. In case of concrete related failure modes under tension  $\gamma_{M,fi} = \gamma_{inst}$ .

**Sissy Stud concrete screw**

**Performances**  
Characteristic values for fire resistance

**Annex D2**



**Table D2: Spacing and edge distances for SS Carbon Steel**

Fire resistance duration = 120 minutes			Performances										
			7.5		10.5		12.5		14.2		16.5		
$h_{nom}$	Overall anchor embedment depth in the concrete:	[mm]	40	55	50	60	60	70	85	75	105	75	110
$h_{ef}$	Effective anchorage depth:	[mm]	29	42	37	45	44	52	65	57	82	56	86
$S_{cr,N}$	Spacing	[mm]	116	168	148	180	176	208	260	228	328	224	344
$S_{min}$	Minimum spacing	[mm]	35	45	35	50	50	60	70	70	70	75	100
$C_{cr,N}$	Edge distance	[mm]	58	84	74	90	88	104	130	114	164	112	172
$C_{min}$	Minimum edge distance (one side fire)	[mm]	35	45	35	50	40	60	60	45	45	45	100
$C_{min}$	Minimum edge distance (two sides fire)	[mm]	300	300	300	300	300	300	300	300	300	300	300
$\gamma_{Msp}$	Partial safety factor <sup>*)</sup>	[-]	1.0	1.0	1.0	1.0	1.0	1.0	1.0	1.0	1.0	1.0	1.0

\*) In absence of other national regulations

**Concrete pry-out failure**

$k_8$  factor values for SS made of Carbon Steel in Table C5  
According EN 1992-4:2018, these values of  $k_8$  factor and the relevant values of  $N_{Rk,c,fi}$  given in the above tables have to be considered in design.

**Concrete edge failure**

The characteristic resistance  $V^0_{Rk,c,fi}$  in C20/25 to C50/60 concrete is determined by:  
 $V^0_{Rk,c,fi} = 0.25 \times V^0_{Rk,c}$  ( $\leq R90$ ) and  $V^0_{Rk,c,fi} = 0.20 \times V^0_{Rk,c}$  (R120)  
With  $V^0_{Rk,c}$  initial value of the characteristic resistance in cracked concrete C20/25 under normal temperature according to EN 1992-4:2018.

**Sissy Stud concrete screw**

**Performances**  
Characteristic values for fire resistance

**Annex D3**



**Table D3: Characteristic values to fire resistance for SS Bimetal**

Fire resistance duration = 30 minutes				7.5		10.5		12.5	
$h_{nom}$	Overall anchor embedment depth in the concrete:	[mm]		40	55	50	60	70	85
<b>Tension loads, steel failure</b>									
$N_{Rk,s,fi,30}$	Characteristic resistance	[kN]		0.21		0.84		1.70	
<b>Pull-out failure</b>									
$N_{Rk,p,fi,30}$	Character. resistance in concrete C20/25 to C50/60	[kN]		0.53	2.94	1.95	3.20	4.42	6.46
<b>Concrete cone failure<sup>1)</sup></b>									
$N_{Rk,c,fi,30}$	Character. resistance in concrete C20/25 to C50/60	[kN]		0.78	1.97	1.43	2.34	3.36	5.86
<b>Shear loads steel failure without lever arm</b>									
$V_{Rk,s,fi,30}$	Characteristic resistance	[kN]		0.21		0.84		1.70	
<b>Shear loads, steel failure with lever arm</b>									
$M_{Rk,s,fi,30}$	Characteristic bending resistance	[Nm]		0.17		0.92		2.37	

Fire resistance duration = 60 minutes				7.5		10.5		12.5	
$h_{nom}$	Overall anchor embedment depth in the concrete:	[mm]		40	55	50	60	70	85
<b>Tension loads, steel failure</b>									
$N_{Rk,s,fi,60}$	Characteristic resistance	[kN]		0.19		0.67		1.36	
<b>Pull-out failure</b>									
$N_{Rk,p,fi,60}$	Character. resistance in concrete C20/25 to C50/60	[kN]		0.53	2.94	1.95	3.20	4.42	6.46
<b>Concrete cone failure<sup>1)</sup></b>									
$N_{Rk,c,fi,60}$	Character. resistance in concrete C20/25 to C50/60	[kN]		0.78	1.97	1.43	2.34	3.36	5.86
<b>Shear loads steel failure without lever arm</b>									
$V_{Rk,s,fi,60}$	Characteristic resistance	[kN]		0.19		0.67		1.36	
<b>Shear loads, steel failure with lever arm</b>									
$M_{Rk,s,fi,60}$	Characteristic bending resistance	[Nm]		0.15		0.73		1.90	

Fire resistance duration = 90 minutes				7.5		10.5		12.5	
$h_{nom}$	Overall anchor embedment depth in the concrete:	[mm]		40	55	50	60	70	85
<b>Tension loads, steel failure</b>									
$N_{Rk,s,fi,90}$	Characteristic resistance	[kN]		0.15		0.50		1.09	
<b>Pull-out failure</b>									
$N_{Rk,p,fi,90}$	Character. resistance in concrete C20/25 to C50/60	[kN]		0.53	2.94	1.95	3.20	4.42	6.46
<b>Concrete cone failure<sup>1)</sup></b>									
$N_{Rk,c,fi,90}$	Character. resistance in concrete C20/25 to C50/60	[kN]		0.78	1.97	1.43	2.34	3.36	5.86
<b>Shear loads steel failure without lever arm</b>									
$V_{Rk,s,fi,90}$	Characteristic resistance	[kN]		0.15		0.50		1.09	
<b>Shear loads, steel failure with lever arm</b>									
$M_{Rk,s,fi,90}$	Characteristic bending resistance	[Nm]		0.12		0.55		1.52	

<sup>1)</sup> As a rule, splitting failure can be neglected when cracked concrete and reinforcement is assumed.

Note: In absence of other national regulations, the partial safety factor for resistance under fire exposure  $\gamma_{M,fi} = 1.0$  is recommended for steel failure and concrete related failure modes under shear loading. In case of concrete related failure modes under tension  $\gamma_{M,fi} = \gamma_{inst.}$

**Sissy Stud concrete screw**

**Performances**

Characteristic values for fire resistance

**Annex D4**



**Table D3: Characteristic values to fire resistance for SS Bimetal (continuation)**

Fire resistance duration = 120 minutes			7.5		10.5		12.5	
$h_{nom}$	Overall anchor embedment depth in the concrete:	[mm]	40	55	50	60	70	85
<b>Tension loads, steel failure</b>								
$N_{Rk,s,fi,120}$	Characteristic resistance	[kN]	0.11		0.42		0.95	
<b>Pull-out failure</b>								
$N_{Rk,p,fi,120}$	Character. resistance in concrete C20/25 to C50/60	[kN]	0.42	2.35	1.56	2.56	3.54	5.17
<b>Concrete cone failure<sup>1)</sup></b>								
$N_{Rk,c,fi,120}$	Character. resistance in concrete C20/25 to C50/60	[kN]	0.62	1.57	1.15	1.87	2.69	4.69
<b>Shear loads steel failure without lever arm</b>								
$V_{Rk,s,fi,120}$	Characteristic resistance	[kN]	0.11		0.42		0.95	
<b>Shear loads, steel failure with lever arm</b>								
$M_{Rk,s,fi,120}$	Characteristic bending resistance	[Nm]	0.08		0.46		1.33	

<sup>1)</sup> As a rule, splitting failure can be neglected when cracked concrete and reinforcement is assumed.

Note: In absence of other national regulations, the partial safety factor for resistance under fire exposure  $\gamma_{M,fi} = 1.0$  is recommended for steel failure and concrete related failure modes under shear loading. In case of concrete related failure modes under tension  $\gamma_{M,fi} = \gamma_{inst.}$

**Table D4: Spacing and edge distances for SS Bimetal**

Spacing and edge distances			7.5		10.5		12.5	
$h_{nom}$	Overall anchor embedment depth in the concrete:	[mm]	40	55	50	60	70	85
$h_{ef}$	Effective anchorage depth:	[mm]	29	42	37	45	52	65
$S_{cr,N}$	Spacing	[mm]	116	168	148	180	208	260
$S_{min}$	Minimum spacing	[mm]	35	35	35	50	60	70
$C_{cr,N}$	Edge distance	[mm]	58	84	74	90	105	130
$C_{min}$	Minimum edge distance (one side fire)	[mm]	35	35	35	50	60	70
$C_{min}$	Minimum edge distance (two sides fire)	[mm]	300	300	300	300	300	300
$\gamma_{Msp}$	Partial safety factor <sup>1)</sup>	[-]	1.0	1.0	1.0	1.0	1.0	1.0

<sup>1)</sup> In absence of other national regulations

**Concrete pry-out failure**

$k_8$  factor values for SS made of Bimetal Steel in Table C6

According EN 1992-4:2018, these values of  $k_8$  factor and the relevant values of  $N_{Rk,c,fi}$  given in the above tables have to be considered in design.

**Concrete edge failure**

The characteristic resistance  $V^0_{Rk,c,fi}$  in C20/25 to C50/60 concrete is determined by:

$V^0_{Rk,c,fi} = 0.25 \times V^0_{Rk,c}$  ( $\leq R90$ ) and  $V^0_{Rk,c,fi} = 0.20 \times V^0_{Rk,c}$  (R120)

With  $V^0_{Rk,c}$  initial value of the characteristic resistance in cracked concrete C20/25 under normal temperature according to EN 1992-4:2018.

**Sissy Stud concrete screw**

**Performances**

Characteristic values for fire resistance

**Annex D5**

